

Chameleon 6

Light weight cart with sit-to-stand adjustment



Ergonomic

Simple lightweight design for easy sit to stand adjustment



Smooth and easy to clean surfaces

To aid quicker and easier cleaning



Multi purpose

Easy integration in a variety of applications
(choice of laptop or VESA mount)



Durable

Lifetime Warranty

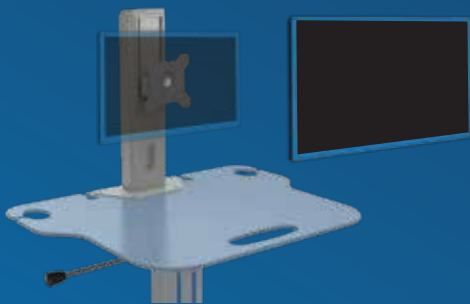


Quick setup

Supplied fully assembled with minimal packaging



Configuration options



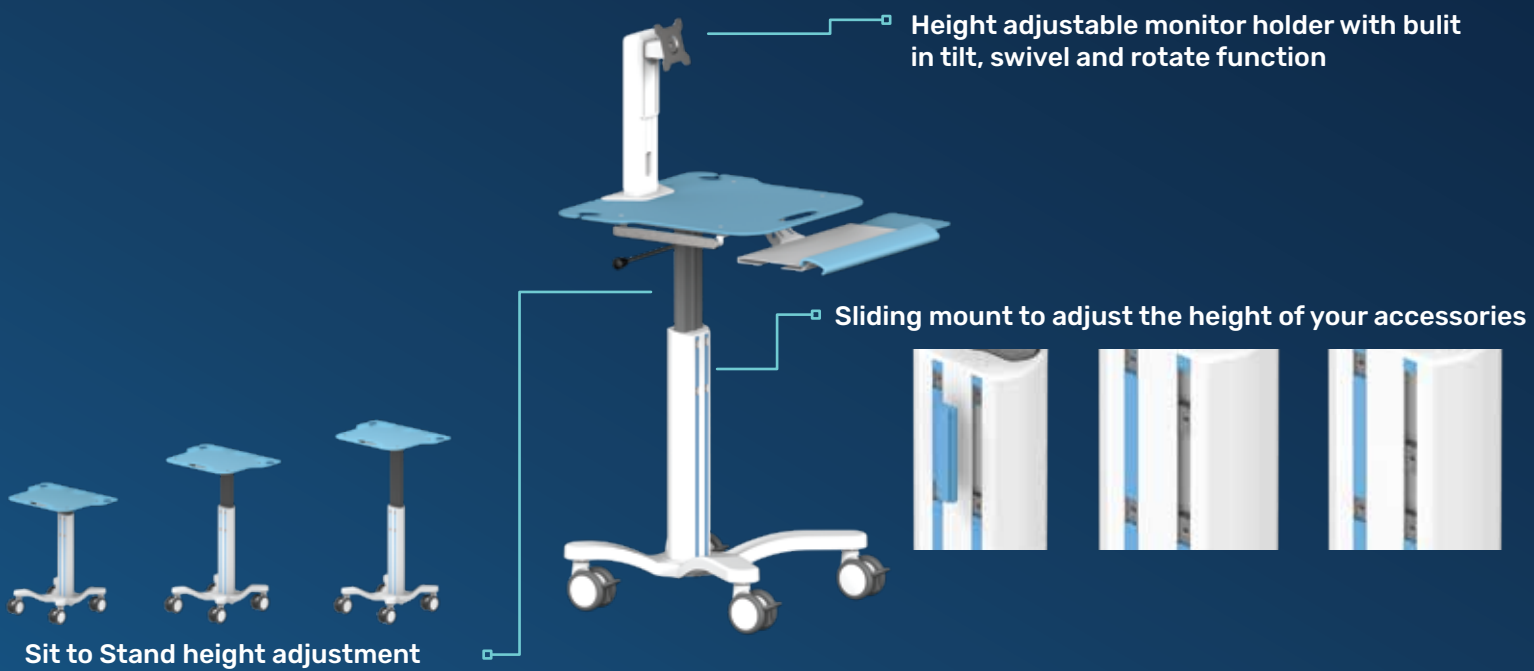
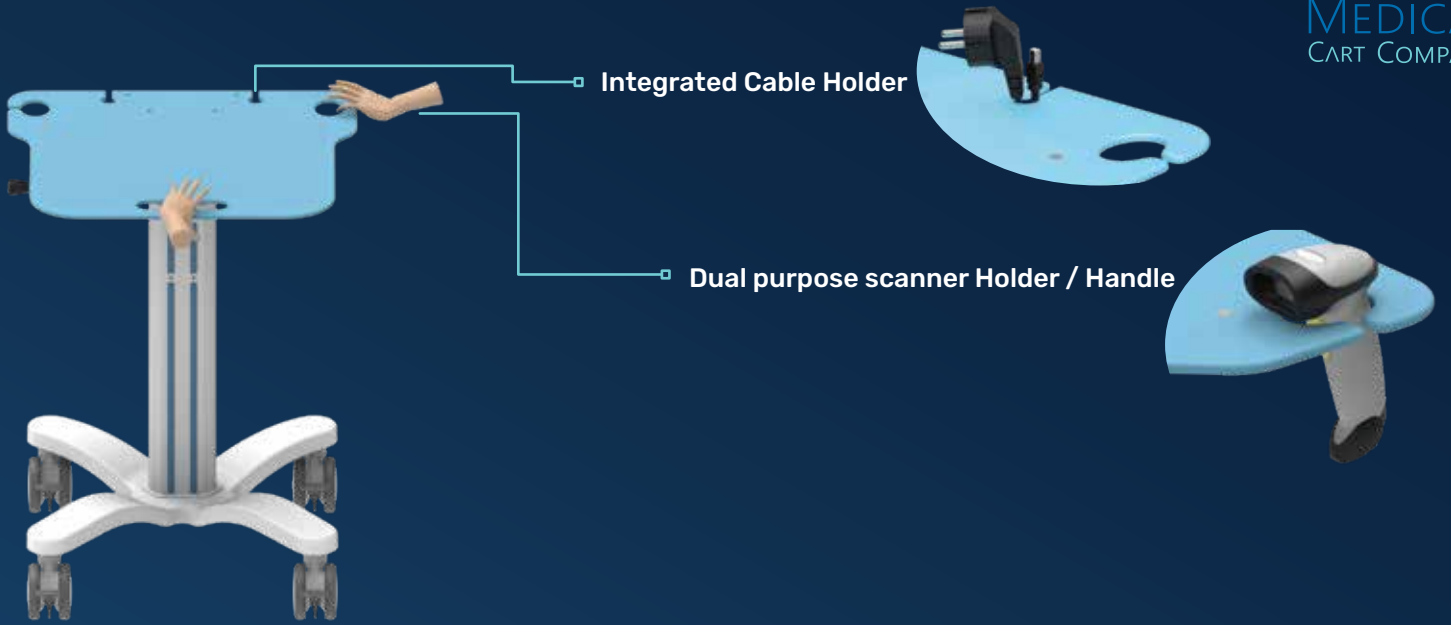
Display mount upto 24" Display



Tablet mount 9 to 11" Tablets

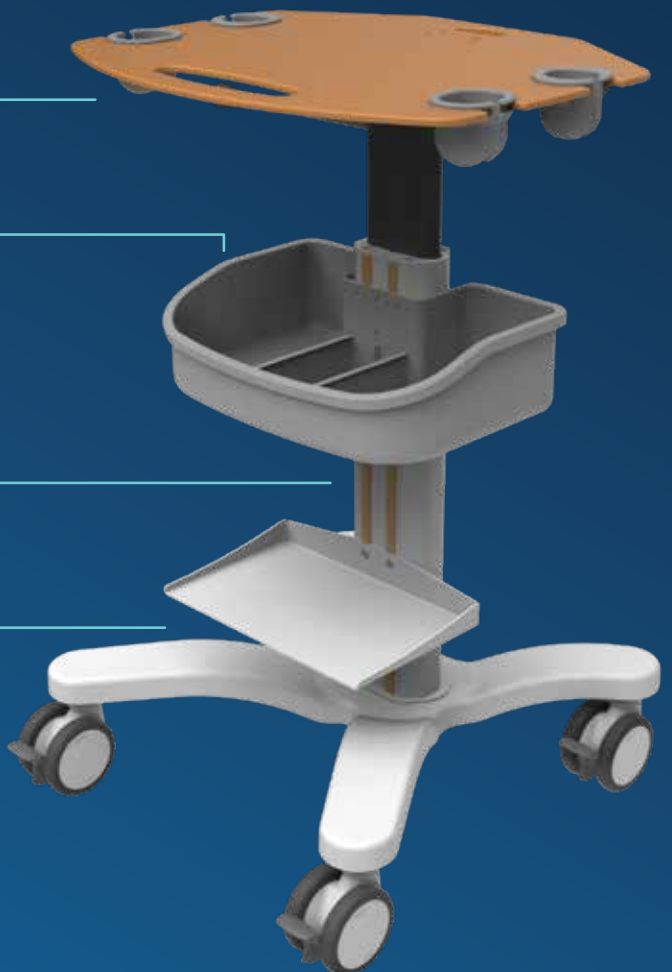


Laptop mount security mount 12-19"





- Height adjustable monitor holder
- Optional Modul Mount
- Handle for moving
- Range of storage solutions available (Basket, bins, drawers)



- Aluminium Worksurface
- Storage Bin
- Height Adjustable column and accesory
- Shelf

Mounting options



Display Mount
DM1



Laptop Mount
LM1



Tablet Mount
TM1



Camera Mount
CM1

Keyboard options



2nd Worksurface
2WS4, 2WS5



Keyboard Tray
KB1

Din Rail options



Side Din Rail Kit
DR1



Scanner holder
SH1



Scanner holder
SH2



Mouse holder
MH1



Gel holder
GH1

Drawer options



Drawer



Medical Drawer



Pharmacy

Storage options



Basket S
ST1

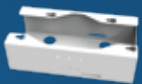


Basket L
ST2



Cabel holder
ST4

Cabel, Tube and PSU holder options



PSU holder
1911-9005



Hook
1911-9022

Wheels options



Antistatic options
100mm wheel

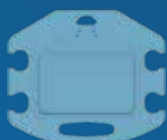


Options
125mm wheel

Worksurface color option



Black



Ultrasound

Mechanical data

Height adujstment rate	Sit 795mm, stand 1048mm 350mm height adjustment
Worksurface	618x557mm
Wheelbase dimension	820mm (diameter)
Wheel construction	Polyamide with Polyurethane tread
Wheels/locking	4 locking, 125mm diameter
Weight of a cart	21 kg
Loading capacity	60 kg

Construction

Main assembly	Aluminum
Worksurface	Cast acrylic

Color

RAL 9016	
Cutom color	

Mounting options

Display mount VESA 75/100
Laptop (secure) 12-19"
Tablet 9-11"
Camera Mount

Certificates

Certificates conforms to	IEC60601-1:2012 (Edition 3)
CE	Rohs compliant

Technical characteristics

- Fully recycable
- Lifetime Warranty
- Optional keyboard and mouse tray
- AC power pack option
- Large range of accessories
- Made in Hungary

