

# RHI-8-W5

MEDICAL  
CART COMPANY

Three columns heavy duty cart

## Rhino Range



*Ergonomic*



*Easy to clean*



*Multi purpose*



*Lifetime warranty*



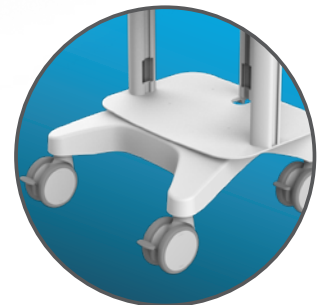
*Quick setup*



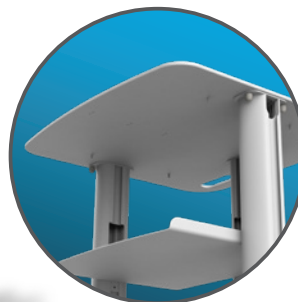
## FEATURES



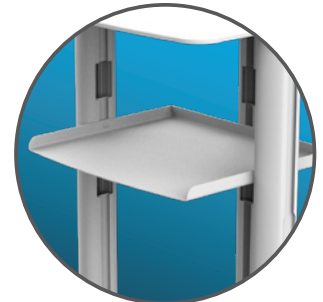
Designed and manufactured in Hungary, products are typically 100% recyclable and upgradable in the future. Raw materials are sourced locally or in the EU.



*Cable management inside the columns, Transformer tray option*



*Display mount, keyboard tray and drawer mounting option*



*Shelves*

# Cart Properties

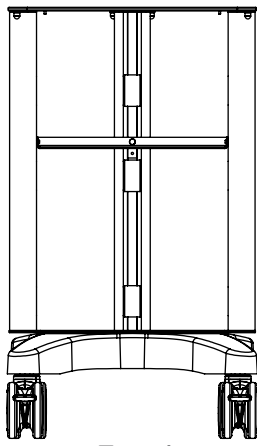
Dimensions and mechanical data



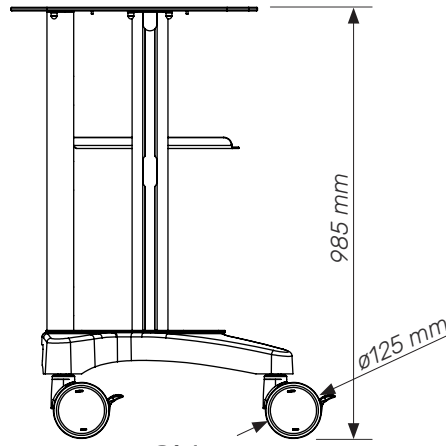
More info  
on website

 Accessories  
Available

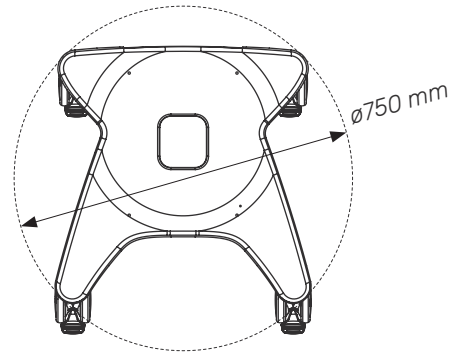
 Transformer Holder  
Datasheet



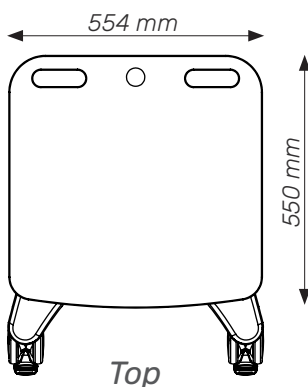
Front



Side



Base



Top

## Mechanical data

Height	985 mm
Wheelbase dimension	750 mm (diameter)
Work surface dimensions	Width: 554 mm Height: 550 mm
Wheels/locking	2 lockable, 125mm diameter
Loading capacity	80 kg

## Construction

Main material	Aluminium
---------------	-----------

## Color

RAL 9016	
Custom color	

## Certificates

Certificates conforms to	IEC60601-1:2012 (Edition 3)
CE	Rohs compliant