



GIR7-6-G

MEDICAL
CART COMPANY

Twin gas bottle cart with quick release mount
Giraffe 7 Range



Ergonomic



Easy to clean



Multi purpose



Lifetime warranty



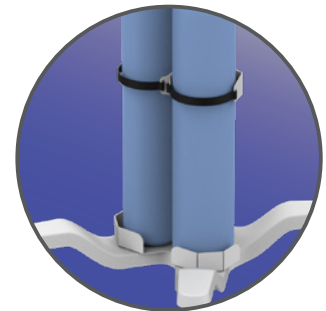
Quick setup



FEATURES



Designed and manufactured in Hungary, products are typically 100% recyclable and upgradable in the future. Raw materials are sourced locally or in the EU.



Bottle holders with straps



Quick Release Mount



Lockable wheels

Cart Properties

Dimensions and mechanical data



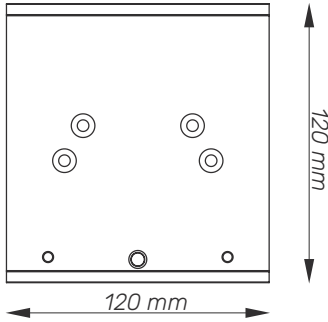
More info
on website



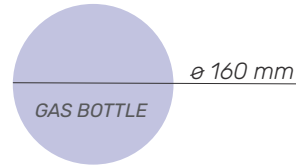
Accessories
available



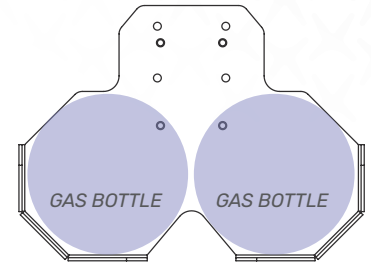
Quick Release Mount
Datasheet



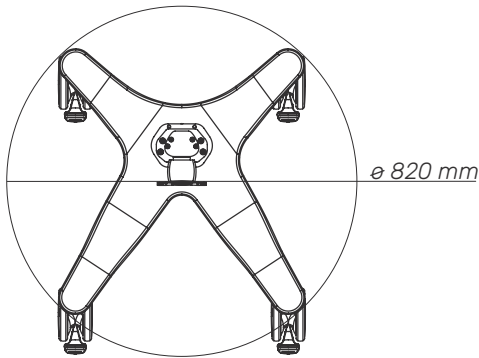
Quick release mount



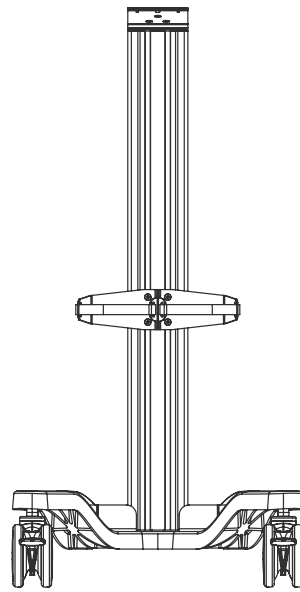
Bottle size



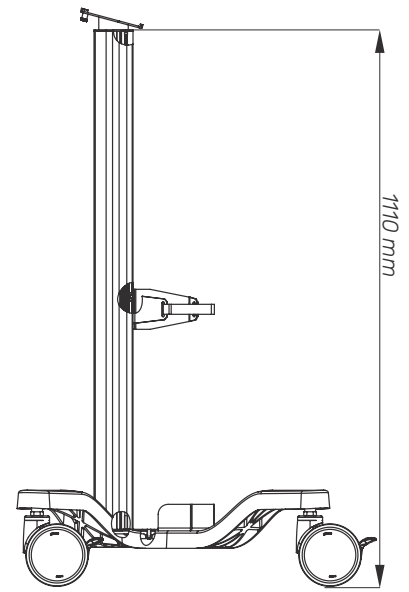
Bottle holder



Base



Front



Side

Mechanical data

Height	1100 mm
Wheelbase dimension	820 mm (diameter)
Wheel construction	Polyamide with Polyurethane tread
Wheels/locking	2 lockable, 125 mm diameter
Loading capacity	85 kg
Max bottle diameter	160 mm

Construction

Main material	Aluminium
---------------	-----------

Color

RAL 9016	
Custom color	

Certificates

Certificates conforms to	IEC60601-1:2012 (Edition 3)
CE	Rohs compliant