

GIR6-V0

Ventilator cart with gas bottle holder

Giraffe 6 Range

-  **Ergonomic**
-  **Easy to clean**
-  **Multi purpose**
-  **Lifetime warranty**
-  **Quick setup**



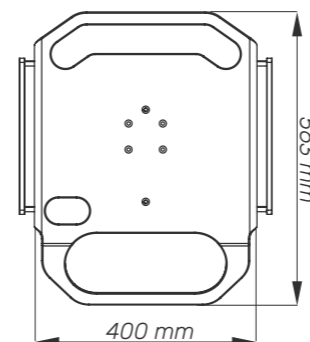
MEDICAL
CART COMPANY

Cart Properties

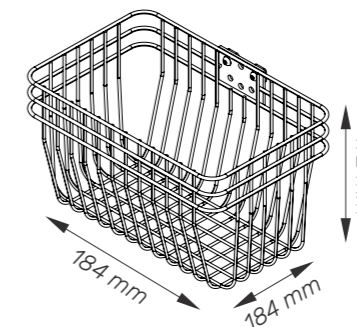
Dimensions and mechanical data



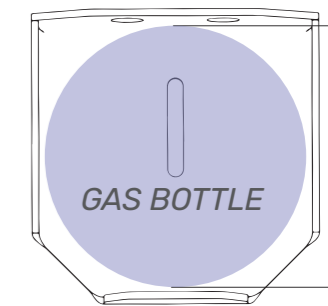
More info
on website



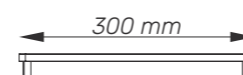
Top Plate



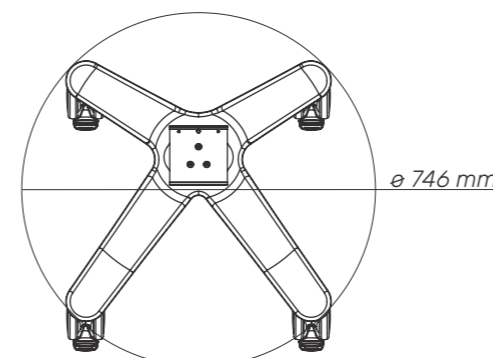
Basket



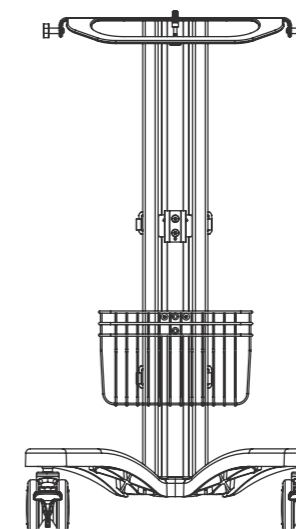
Bottle Holder



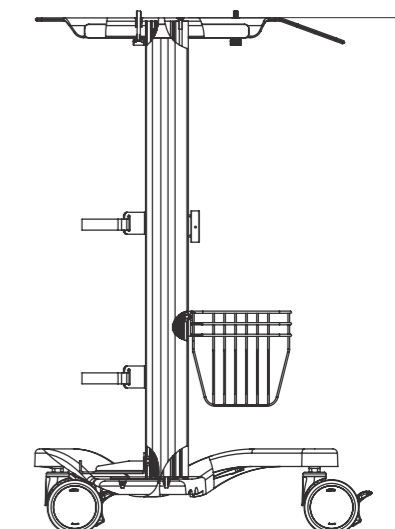
DIN Rail



Base



Front



Side

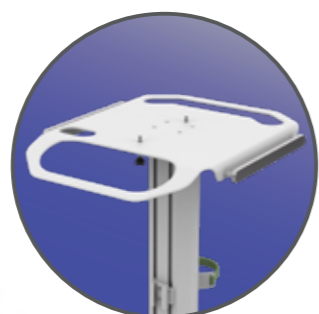
FEATURES



Designed and manufactured in Hungary, products are typically 100% recyclable and upgradable in the future. Raw materials are sourced locally or in the EU.



Bottle holder
and basket



Multipurpose Top Plate



Lockable wheels



Mechanical data

Height	940 mm
Wheelbase dimension	746 mm (diameter)
Wheel construction	Polyamide with Polyurethane tread
Wheels/locking	2 lockable, 100 mm diameter
Loading capacity	65 kg
Max bottle diameter	110 mm

Construction

Main material	Aluminium
---------------	-----------

Color

RAL 9016	
Custom color	

Certificates

Certificates conforms to	IEC60601-1:2012 (Edition 3)
CE	Rohs compliant