



Quick release mount Budgie Cart



- Ergonomic
- Easy to clean
- Multi purpose
- Lifetime warranty
- Quick setup



FEATURES



Designed and manufactured in Hungary, products are typically 100% recyclable and upgradable in the future. Raw materials are sourced locally or in the EU.



Channels to fix accessories



Quick release mount



Lockable wheels

Cart Properties

Dimensions and mechanical data



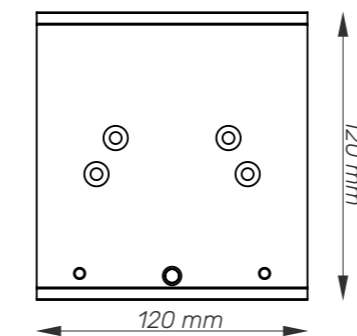
More info on website



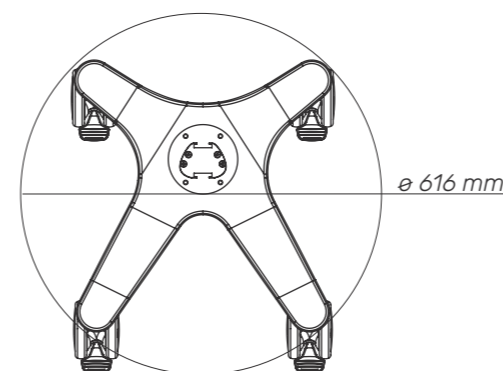
Accessories available



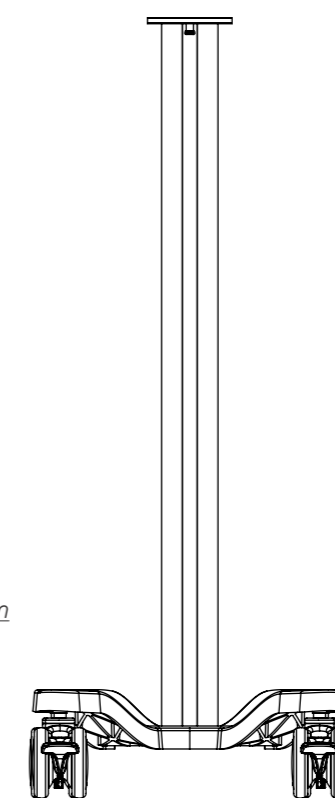
Quick release mount Datasheet



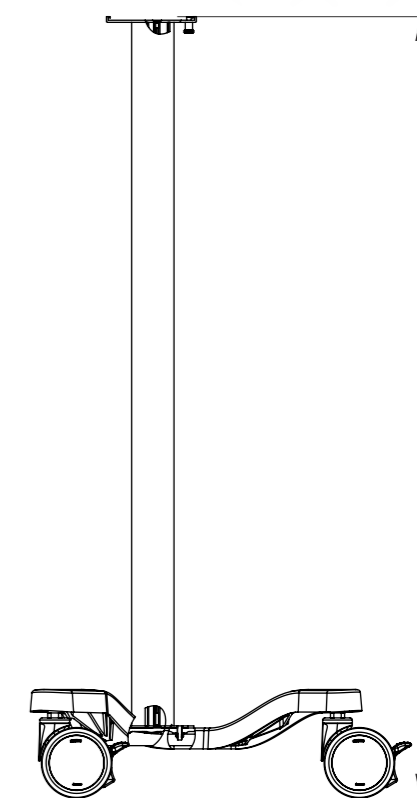
Quick release mount



Base



Front



Side

Mechanical data

Height	1100 mm
Wheelbase dimension	616 mm (diameter)
Wheel construction	Polyamide with Polyurethane coating
Wheels/locking	2 lockable, 100 mm diameter
Loading capacity	25 kg
Quick release mount size	120x120 mm

Construction

Main material	Aluminium
---------------	-----------

Color

RAL 9016	
Custom color	

Certificates

Certificates conforms to	IEC60601-1:2012 (Edition 3)
CE	Rohs compliant