

BUG-2-USO

MEDICAL
CART COMPANY

Ultrasound Budgie cart



Ergonomic



Easy to clean



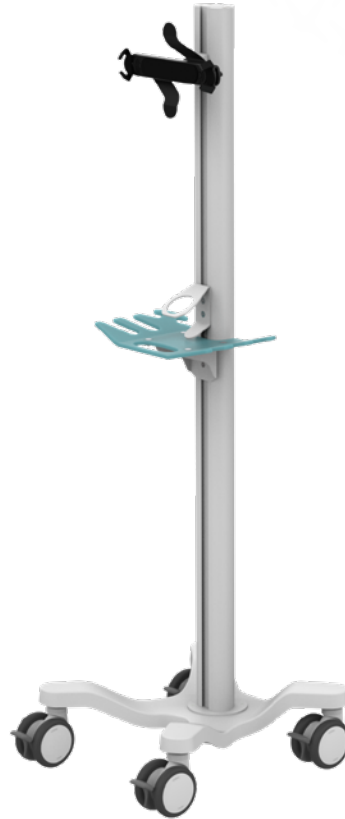
Multi purpose



Lifetime warranty

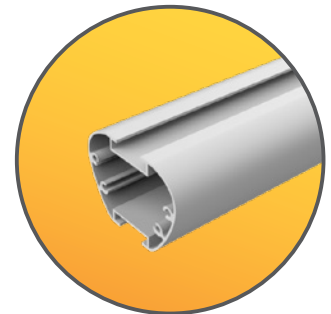


Quick setup



FEATURES

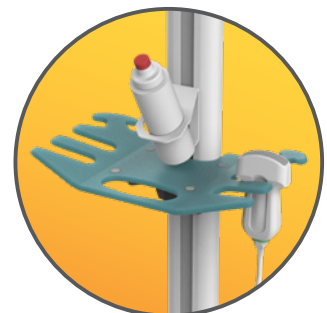
Designed and manufactured in Hungary, products are typically 100% recyclable and upgradable in the future. Raw materials are sourced locally or in the EU.



Channels to fix accessories



Tablet mount



Gel and Scanner holder

Cart Properties

Dimensions and mechanical data



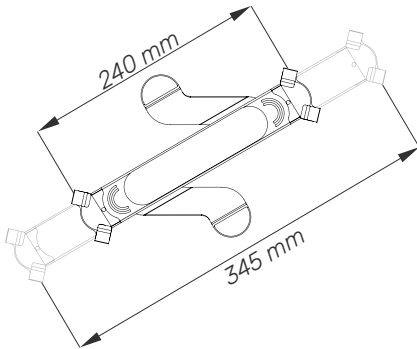
More info
on website



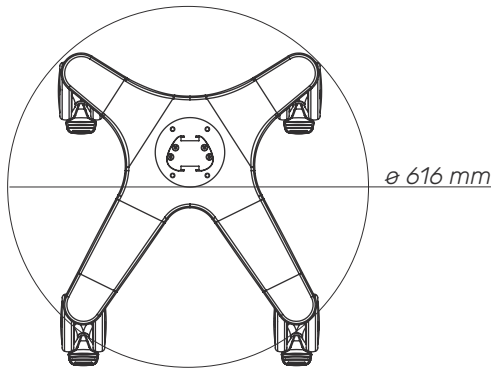
Accessories
available



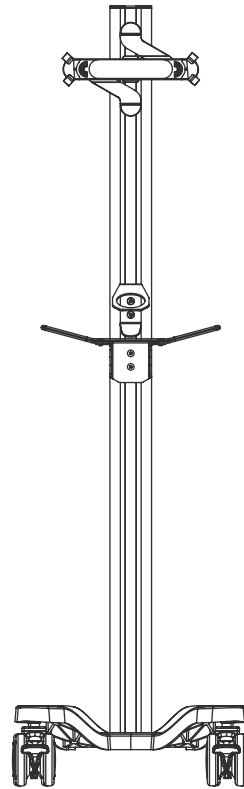
Tablet Mount
Datasheet



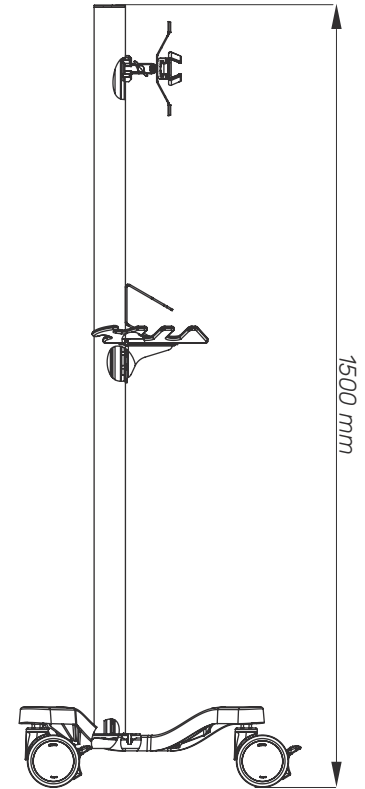
Tablet Mount



Base



Front



Side

Mechanical data

Height	1500 mm	
Wheelbase dimension	616 mm (diameter)	
Wheel construction	Polyamide with Polyurethane tread	
Wheels/locking	2 lockable, 100 mm diameter	
Loading capacity	36 kg	
Tablet mount diameter	Min.: 240mm Max.: 345 mm	Large: Min.: 320 mm Max.: 425 mm

Construction

Main material	Aluminium
---------------	-----------

Color

RAL 9016	
Custom color	

Certificates

Certificates conforms to	IEC60601-1:2012 (Edition 3)
CE	Rohs compliant