

Basic Budgie Cart



Ergonomic



5 years warranty



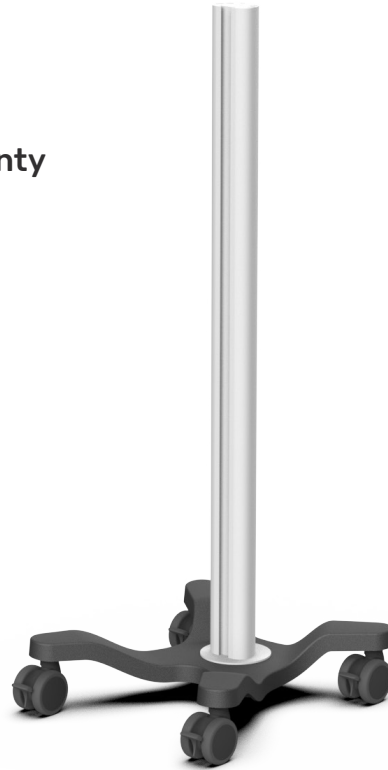
Easy to clean



Quick setup



Multi purpose



FEATURES



Designed for easy cleaning.
Fingers access the column channels.



Channels to mount accessories



75mm lockable wheels,
optional 100mm

Designed and manufactured in Hungary, products are typically 100% recyclable and upgradable in the future. Raw materials are sourced locally or in the EU.



Cart Properties

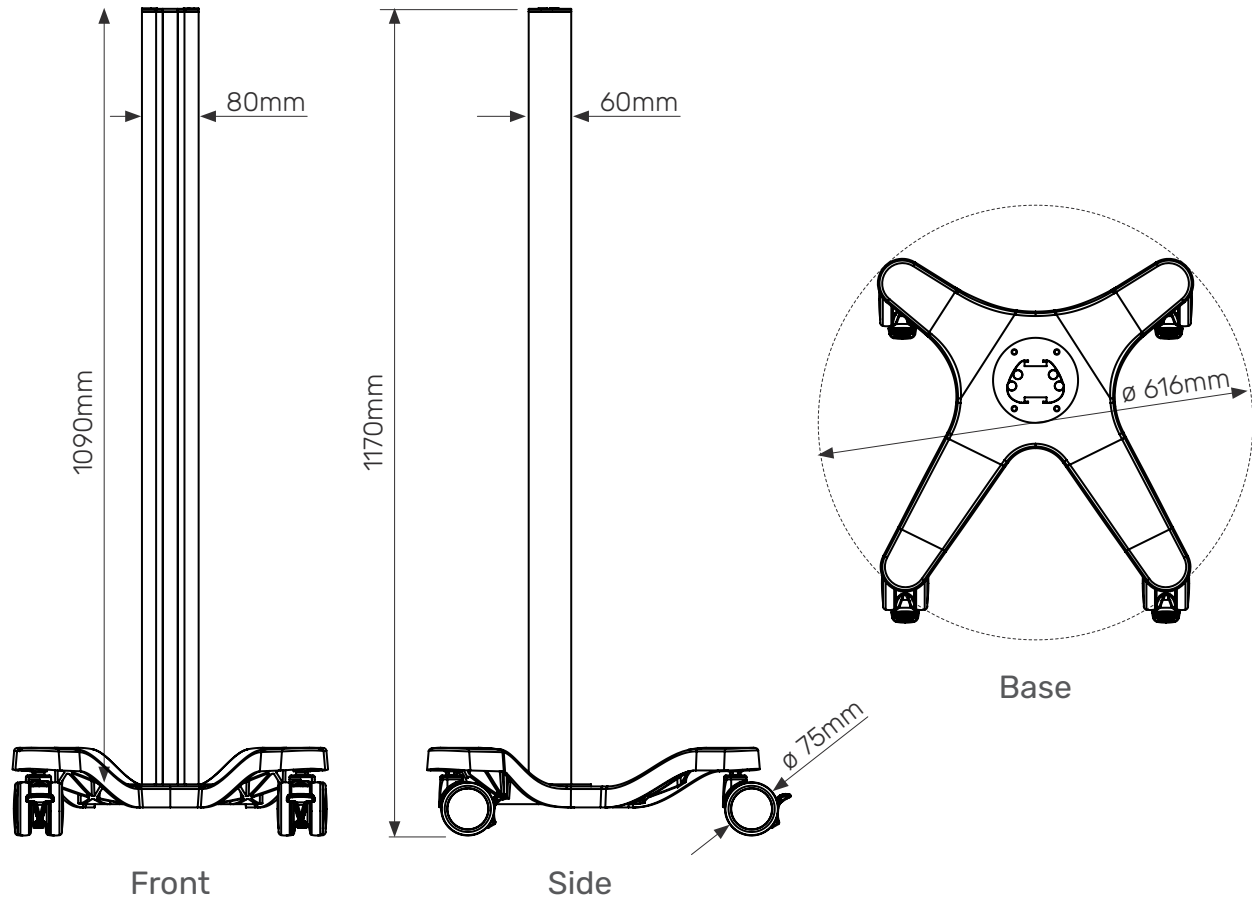
Dimensions and mechanical data




More info
on website



Accessories
available



Mechanical data	
Height	1170 mm (Column length: 1090mm)
Wheelbase dimension	616 mm (diameter)
Wheel construction	Polyamide with Polyurethane tread
Wheels/locking	4 lockable, 75 mm diameter
Loading capacity	25 kg
Construction	
Main material	Aluminium
Color	
RAL 9016	
Custom color	
Certificates	
Certificates conforms to	IEC60601-1:2012 (Edition 3)
CE	Rohs compliant