

BUG-0-WS13

EKG Budgie Cart

MEDICAL
CART COMPANY

-  Ergonomic
-  Easy to clean
-  Multi purpose
-  Lifetime warranty
-  Quick setup



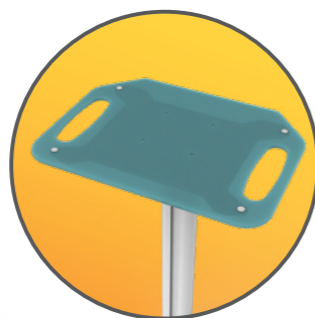
FEATURES



Designed and manufactured in Hungary, products are typically 100% recyclable and upgradable in the future. Raw materials are sourced locally or in the EU.



Channels to fix accessories



Work surface with handle



Lockable wheels

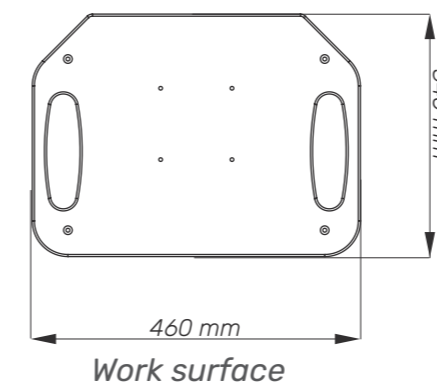
Cart Properties

Dimensions and mechanical data

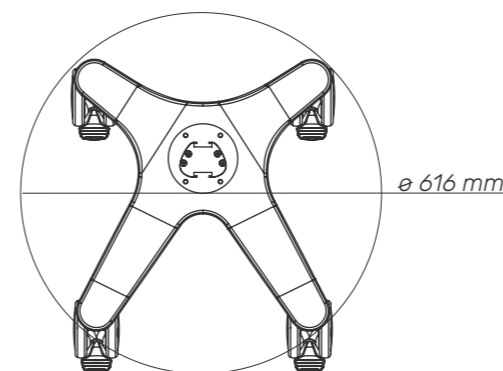


More info on website

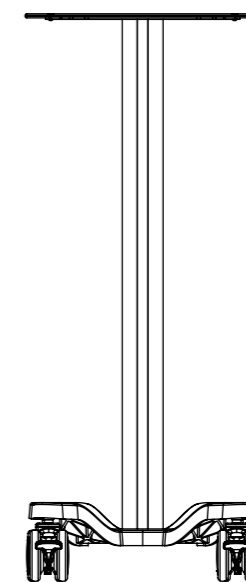
 Accessories available



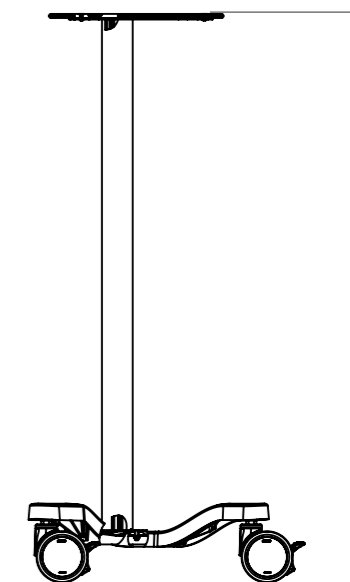
Work surface



Base



Front



Side

Mechanical data

Height	1110 mm
Wheelbase dimension	616 mm (diameter)
Wheel construction	Polyamide with Polyurethane tread
Wheels/locking	2 lockable, 100 mm diameter
Loading capacity	25 kg
Work surface size	460x340 mm

Construction

Main material	Aluminium
---------------	-----------

Color

RAL 9016	
Custom color	

Certificates

Certificates conforms to	IEC60601-1:2012 (Edition 3)
CE	Rohs compliant