



PRODUCT  
CATALOGUE

2024



The **Medical Cart Company Ltd** was born in the year 2016 and being a proud Hungarian company, all products are designed in house and material sourced and manufactured locally or within Europe. We have a total commitment to reducing our carbon footprint.



We use materials which are 100% recyclable and ensure that all products have the ability to be refurbished after many years of use and adapted to the changing needs of users with minimal effort.

## How to choose your cart ?

We have designed a range of bases to suit the requirements of your equipment and the accessories required to support good use and function. All products are available with and without height adjustment.

So how to choose

- Weight of the equipment to accessories to be supported
- Working height required
- Size of work surface
- Location of accessories

We have a standard range of carts which will suit most needs or alternatively we can design the cart to your needs.

We understand, that a standard mounting solution may not satisfy your need, so we offer a fast and affordable customisation service as well as an exclusive for you and OEM design service.

**We are here to be part of your team,  
not just your supplier !**



## CONTENTS

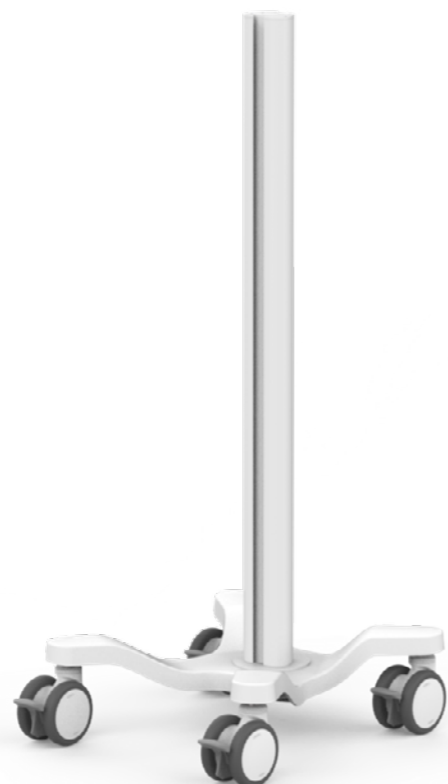
<b>BUDGIE RANGE</b>	<b>4</b>
<i>Our most lightweight and economic range.</i>	
<b>GIRAFFE RANGE</b>	<b>15</b>
<i>Vertically built products in case there's no need for a work surface.</i>	
<b>CHAMELEON RANGE</b>	<b>29</b>
<i>Moving workstations fit to use standing or sitting as well.</i>	
<b>RHINO RANGE</b>	<b>43</b>
<i>The strongest carts built to carry heavy equipment.</i>	
<b>INTRAORAL RANGE</b>	<b>54</b>
<i>Carts built for intraoral medication.</i>	
<b>DISPLAY CARTS</b>	<b>58</b>
<i>Carts for display mounting.</i>	
<b>SNAKE RANGE</b>	<b>63</b>
<i>Arms with the strength and flexibility to reach for distant accessories.</i>	
<b>WALL MOUNT SOLUTIONS</b>	<b>71</b>
<i>Workstations fit to use standing or sitting as well.</i>	
<b>DESK STANDS</b>	<b>72</b>
<i>Display and tablet mount solutions on desktop.</i>	
<b>VISUAL CUSTOMISATION</b>	<b>76</b>
<i>Custom colors and wrappings..</i>	
<b>2024 PRODUCTS</b>	<b>83</b>
<i>New products coming in 2024.</i>	



# Budgie Carts

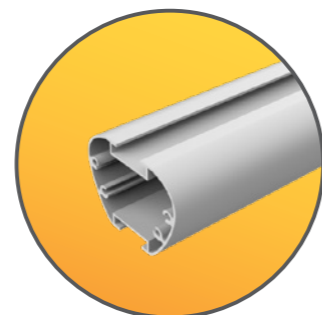
## Basic Budgie Cart

-  **Ergonomic**
-  **Easy to clean**
-  **Multi purpose**
-  **Lifetime warranty**
-  **Quick setup**



## FEATURES

Designed and manufactured in Hungary, products are typically 100% recyclable and upgradable in the future. Raw materials are sourced locally or in the EU.



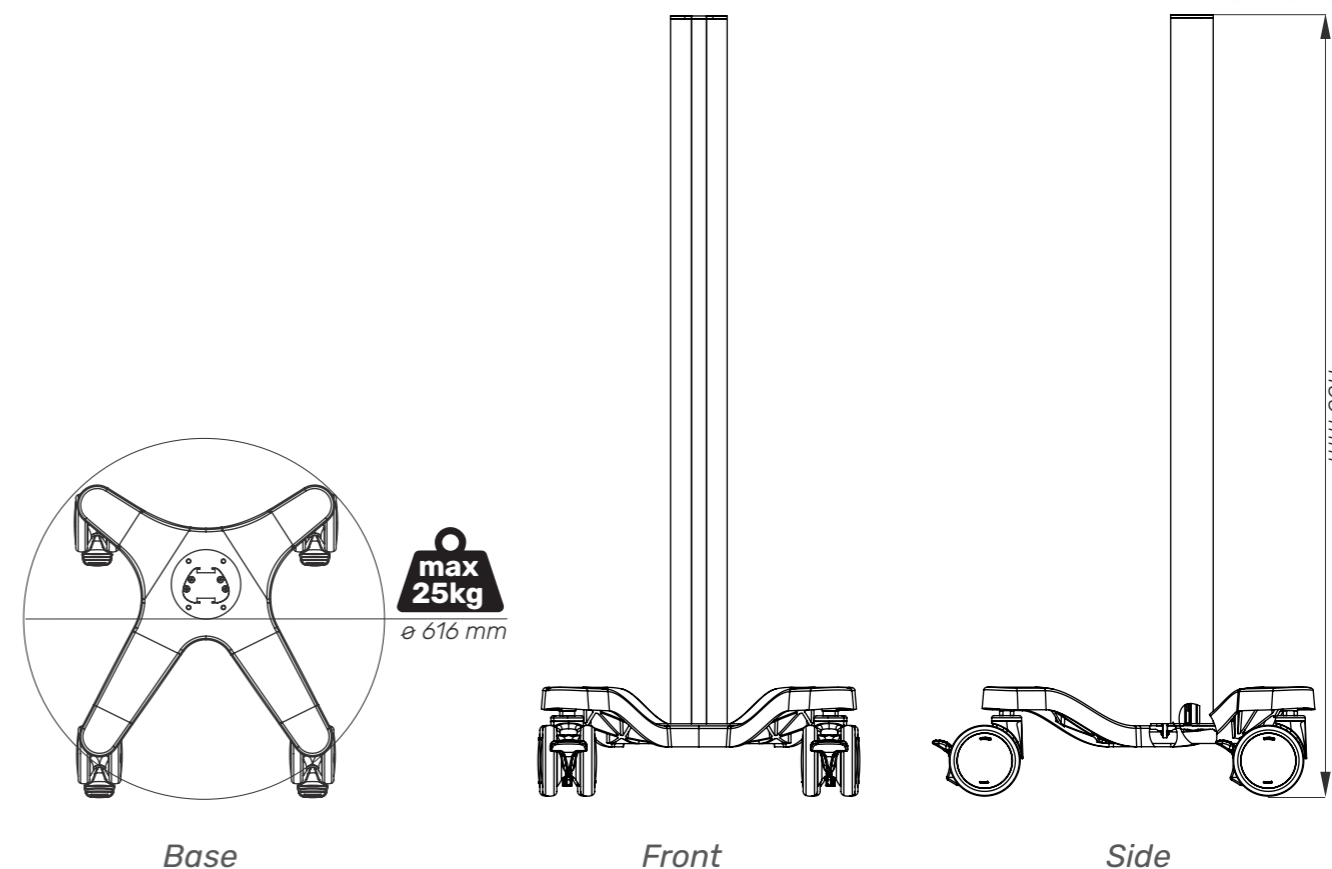
Channels to fix accessories





Lockable wheels

# Cart Properties

## Dimensions and mechanical data



### Mechanical data

Height	1100 mm
Wheelbase dimension	616 mm (diameter)
Wheel construction	Polyamide with Polyurethane tread
Wheels/locking	2 lockable, 100 mm diameter
Loading capacity	25 kg
<b>Construction</b>	
Main material	Aluminium
<b>Color</b>	
RAL 9016	
Custom color	
<b>Certificates</b>	
Certificates conforms to	IEC60601-1:2012 (Edition 3)
CE	Rohs compliant

# Example of a Budgie Cart

All the accessories shown are available in stock.  
For unique accessory requests please contact us!

## HANDLE H1

- Safe way to move the cart

## COLUMN C2-L4

- C2 Column
- L4 - 996 mm tall
- Custom wrapping
- Column channel to fix accessories
- Aluminum

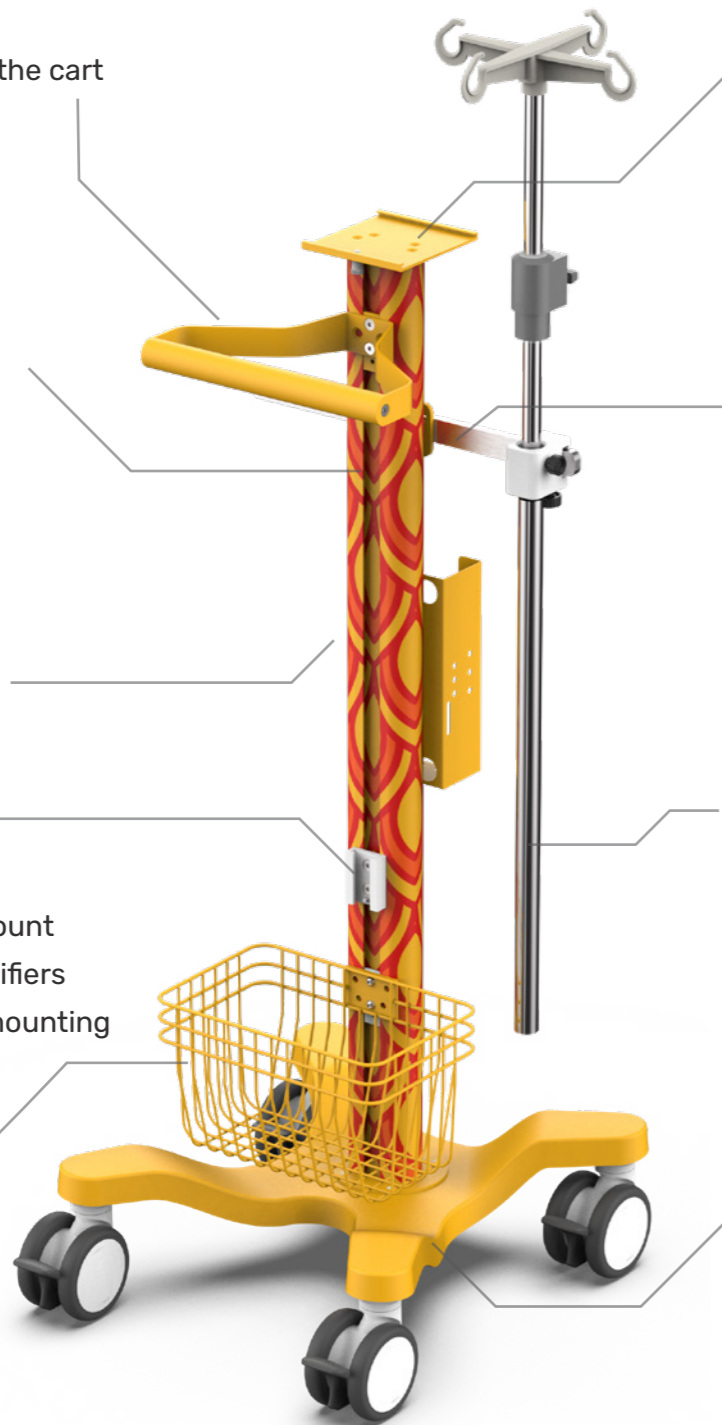
## POWER SUPPLY HOLDER PSU1

## MOUNT AM1

- Fisher & Paykel mount
- Suitable for humidifiers
- Column channel mounting

## STORAGE B1

- Wire Basket
- Yellow painting



## QUICK RELEASE MOUNT QRM

- Wide range of devices can be attached

## DIN RAIL

- 400 mm long
- Wide range of accessories can be attached
- Aluminum

## DRIP POLE IV4

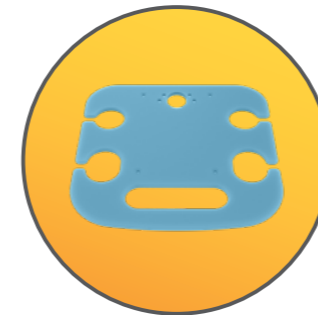
- Height adjustable

## BASE B1-W4

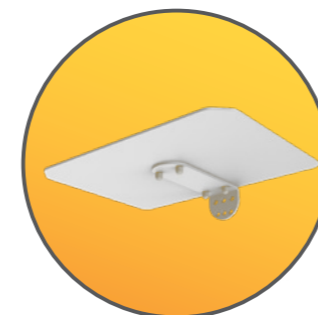
- B1 Base
- W4 100 mm wheels (Rubber coated)
- Aluminum
- Yellow painting
- 36 kg max. load

# Equipped Budgie Cart

Other possible accessories shown in the pictures.  
List of all accessories shown on next pages.



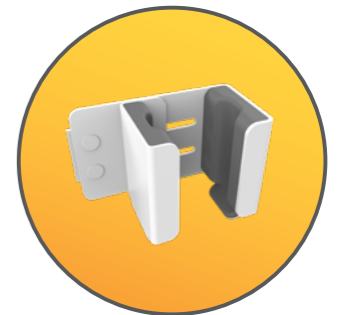
Worktop options



Storages and shelves for devices and equipments



Display and tablet mount options



Holders for devices and equipments



Antistatic wheel option

# Accessories for Budgie

Click or scan the QR Codes for Datasheets.

## Quick Release options



Quick Release Mount  
QRM



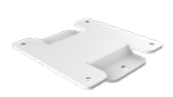
Quick Release Plate BM  
QRA1



Quick Release Plate  
QRA2



Quick Release Plate  
QRA3



Quick Release Mount  
QRA4



Quick Release Plate BM  
QRA5



Quick Release Plate  
QRA6



Quick Release Plate  
CUSTOM

## Display and Tablet Mount options



VESA Mount 1  
VES1



Tablet Mount 2  
TM2



Tablet Mount 2-XL  
TM2-XL



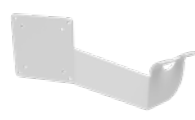
Tablet Mount 3  
TM3



## Holder options



Scanner Holder 1  
SH1



Scanner Holder 2  
SH2



Scanner Holder 3  
SH3



Scanner Holder 4  
SH4



Gel Holder 1  
GH1



Gel Holder 2  
GH2



Gel Holder 3  
GH3



Cable Hook  
CH1-C2



Cable Hook  
CH2-C2



Cable Hook  
CH3-C2



Cable Hook  
CH4-C2



Humidifier mount  
AM1



Rubber Scanner Holder 1  
SR1



Rubber Scanner Holder 2  
SR2



Rubber Scanner Holder 3  
SR3



Mouse Holder  
MH1

## Drip Pole Clamp and Drip Pole options



Drip Pole Clamp 12.7mm  
DRC1



Drip Pole Clamp 25mm  
DRC2



Drip Pole  
IV1



# Accessories for Budgie

Click or scan the QR Codes for Datasheets.

## Storage and Handle options



Small Basket  
ST1-C2



Large Basket  
ST2-C2



Storage Bin  
ST3-C2



Small Basket  
ST6-C2



Large Basket  
ST7-C2



Storage Bin  
ST8-C2



Handle and Storage  
ST5-C2



Handle  
H1-C2

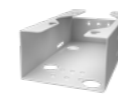
## DIN Rail options



Din Rail 400x10x25mm  
DR3-C2



## PSU Holder options



PSU Holder 1  
PSH1-C2



PSU Holder 2  
PSH2-C2



PSU Holder 4  
PSH4-C2



PSU Holder 5  
PSH5-C2



PSU Holder 7  
PSH7-C2



PSU Holder 9  
PSH9-C2

## CPU Mount options



CPU Mount Small  
CPU1



CPU Mount Medium  
CPU2



## Gas bottle holder options



Gas Bottle Holder 1  
GBH1



Gas Bottle Holder 2  
GBH2



Gas Bottle Holder 3  
GBH3





# Accessories for Budgie

Click or scan the QR Codes for Datasheets.

## Shelf options



Shelf 1  
S1-C2



Shelf 2  
S2-C2



Shelf 3  
S3-C2



Shelf 11  
S11-C5



## Power function options



Power strip 3  
PDU3



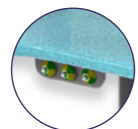
Power strip 4  
PDU4



Power strip 5  
PDU5



Power strip 8  
PDU8



POAG Studs  
POW-A1



Potential Equalisation pin  
POW-A2-15/25



Potential Equalisation socket  
POW-A3-15/25



Potential Equalisation cable  
POW-A4-3/5

## Work surface options



Work surface 2  
WS2



Work surface 3  
WS3



Work surface 13  
WS13



Ultra sound work surface  
WS-US



Ultra sound work surface 2  
WS-US2



Ultra sound work surface 3  
WS-US3



Generic mounting plate  
MNT-1



Custom colored  
Aluminum work surfaces



## Component options



75 mm Wheel  
GJM3-75-2-W1



100 mm Wheel  
GJM3-100-2-W4



Counter balance 3.6 kg  
CBW-3



Counter balance 6 kg  
CBW-6



Column: 995/1050  
C2-L2, C2-L4

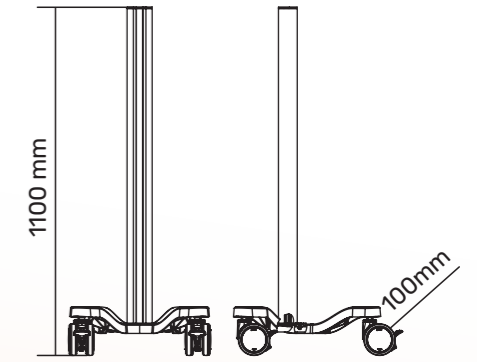


Custom colors & Wrappings



## BUG-0

### BASIC

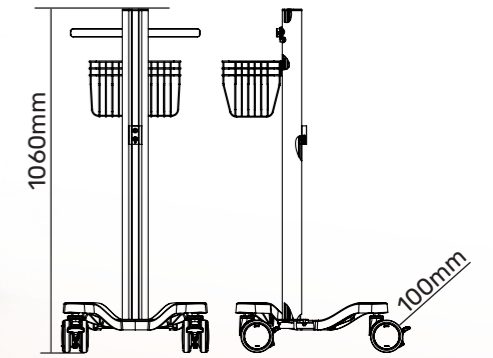


## BUG-0-3-0024

### DIN RAIL

### BASKET

### ACCESSORY MOUNT

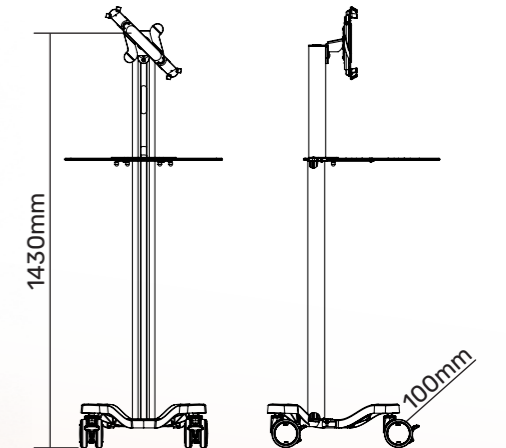


## BUG-2-WS12-TM2

### ULTRASOUND CART

### TABLET MOUNT

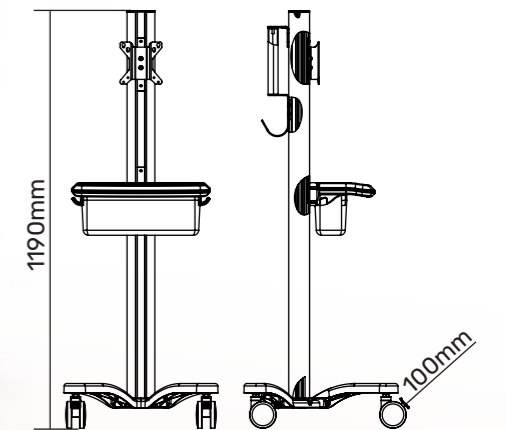
9-13" or 13-15"



## BUG-1-3-0019

### DISPLAY MOUNT

### STORAGE & HANDLE

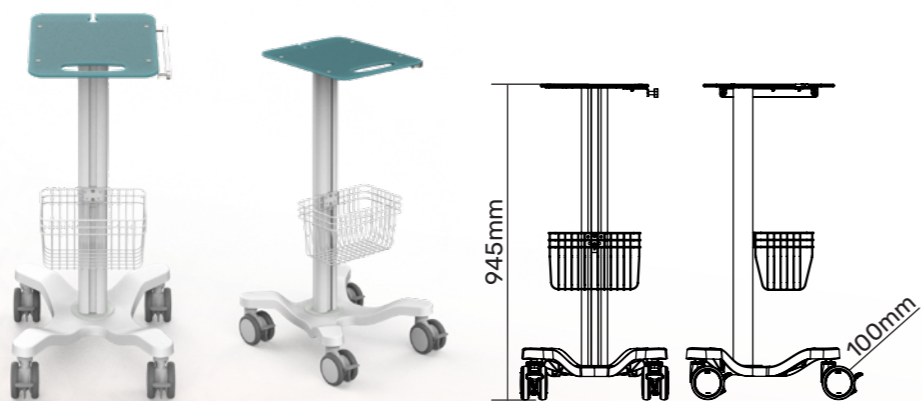


## BUG-WS1-DR1

WORK SURFACE

DIN RAIL

BASKET



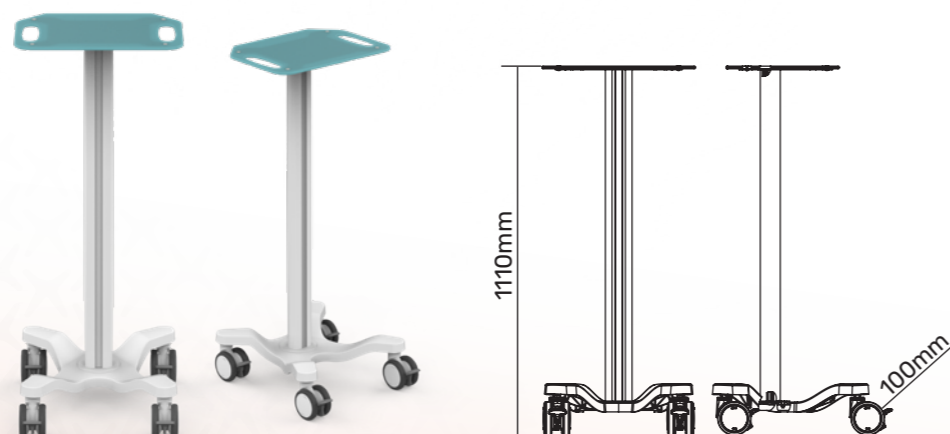
## BUG-PHI-2

MOUNTING PLATE



## BUG-0-WS13

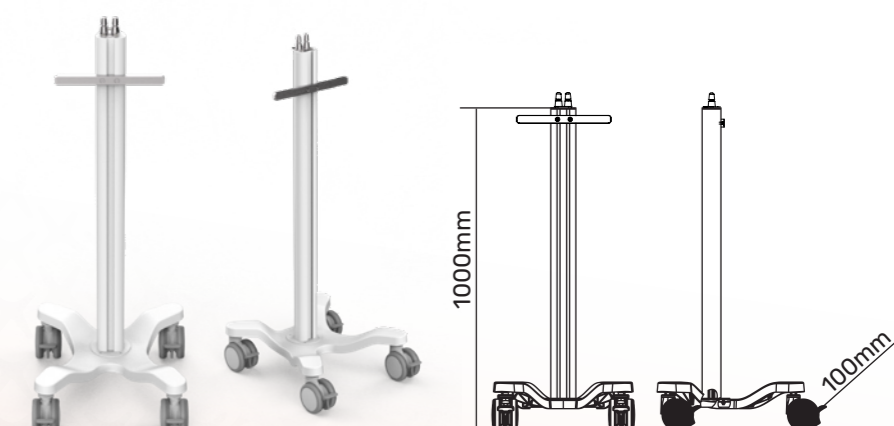
EKG CART



## BUG-PHI-4

DIN RAIL

DOUBLE PIN MOUNT

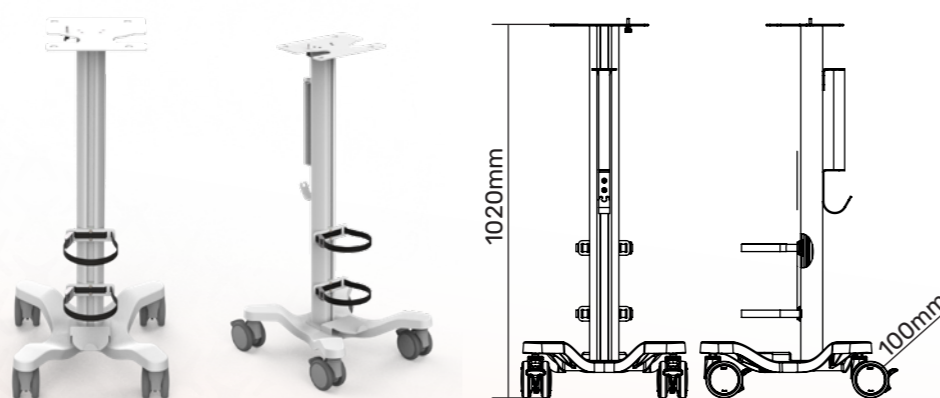


## BUG-0-3-0130

MOUNTING PLATE

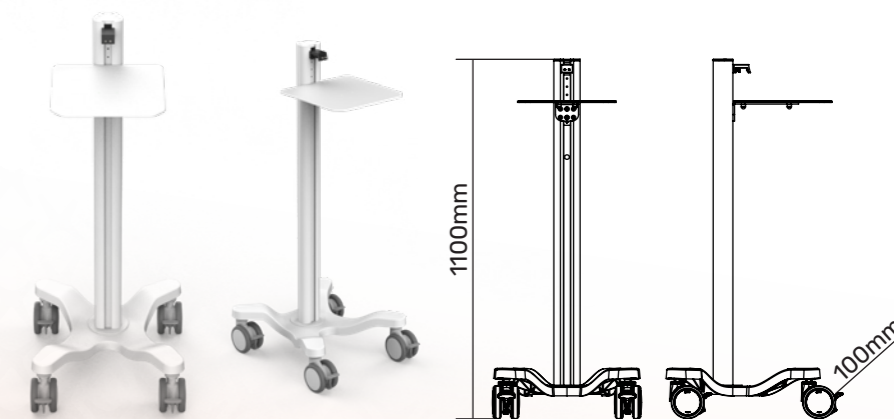
GAS BOTTLE HOLDER

HANDLE & HOOK



## BUG-PHI-6

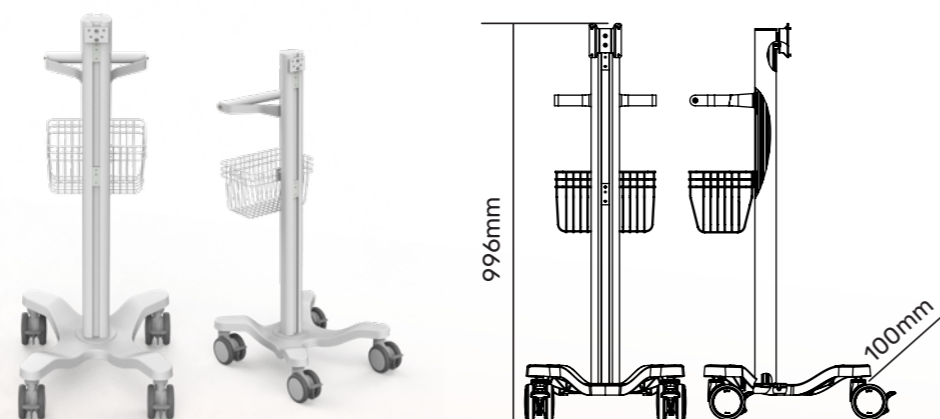
DEFIBRILLATOR CART



## BUG-PHI-1

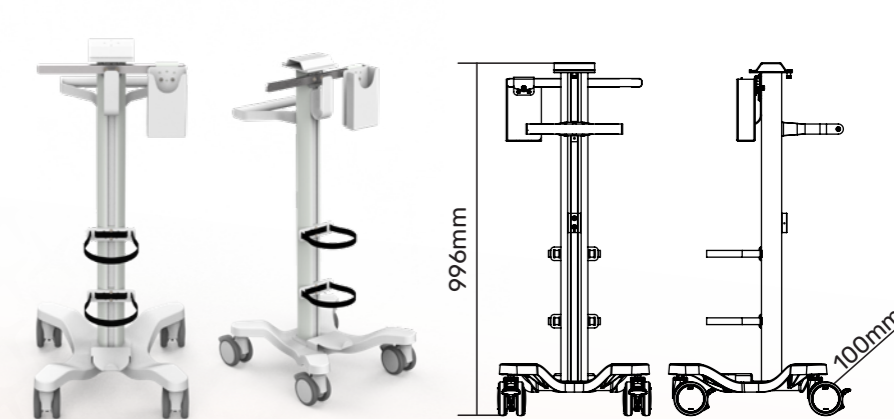
MOUNT

STORAGE & HANDLE



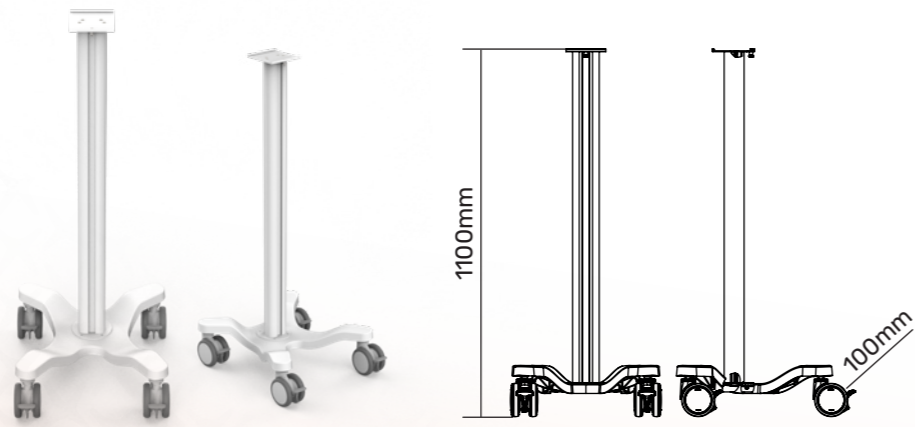
## BUG-6-3-0146

GAS BOTTLE CART

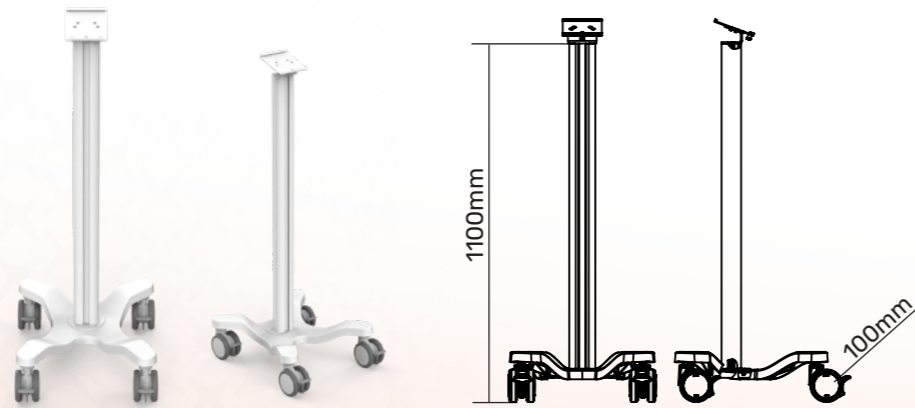




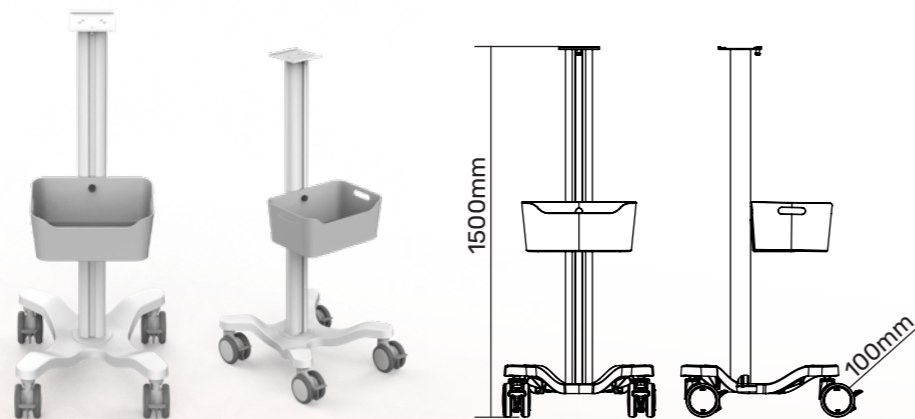
**BUG-6**  
QUICK RELEASE MOUNT



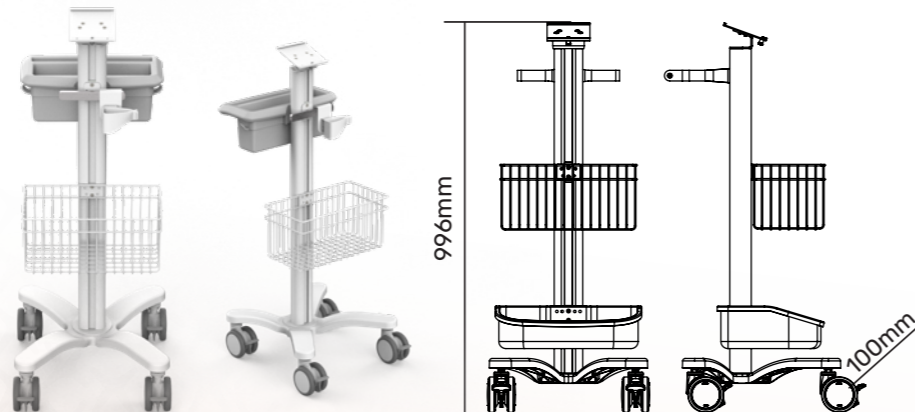
**BUG-6-A**  
QUICK RELEASE MOUNT



**BUG-6-MRI-01**  
QUICK RELEASE MOUNT  
BASKET



**BUG-6A-3-0056**  
MOUNT  
STORAGE & HANDLE



# GIRAFFE RANGE



See page 18



Custom Color

Optional Rubber Inserts

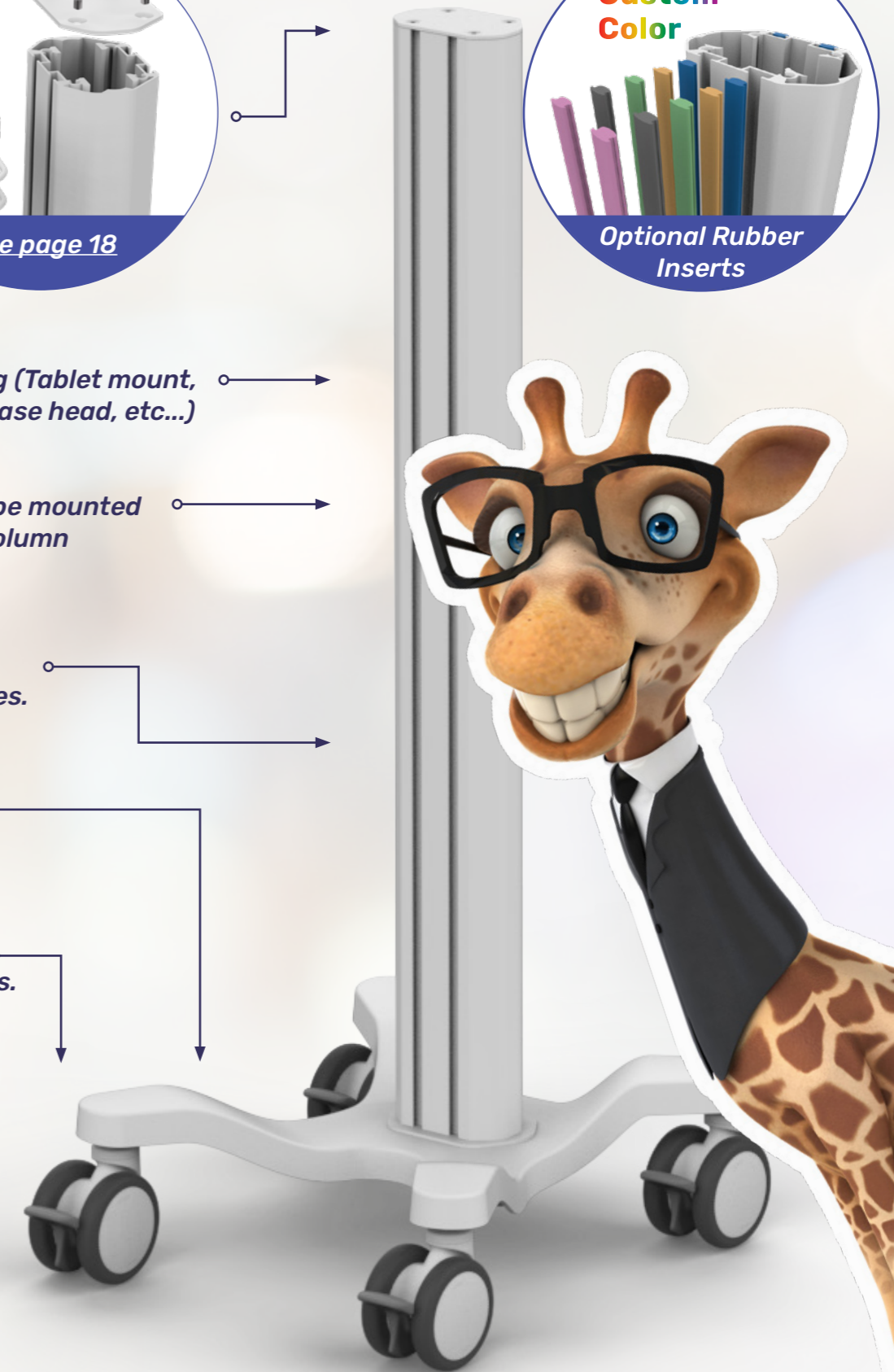
Optional head or mounting (Tablet mount, Display mount, Quick Release head, etc...)

Optional workspace. Can be mounted on the side or top of the column

Column can be fitted with a wide range of accessories.

Four different base options.

Optional 100 or 125 mm diameter antistatic wheels.





# Giraffe Carts

## Basic Giraffe cart Giraffe Range

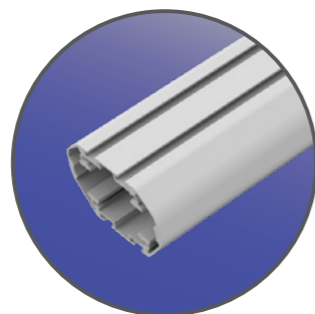
-  **Ergonomic**
-  **Easy to clean**
-  **Multi purpose**
-  **Lifetime warranty**
-  **Quick setup**



## FEATURES



Designed and manufactured in Hungary, products are typically 100% recyclable and upgradable in the future. Raw materials are sourced locally or in the EU.



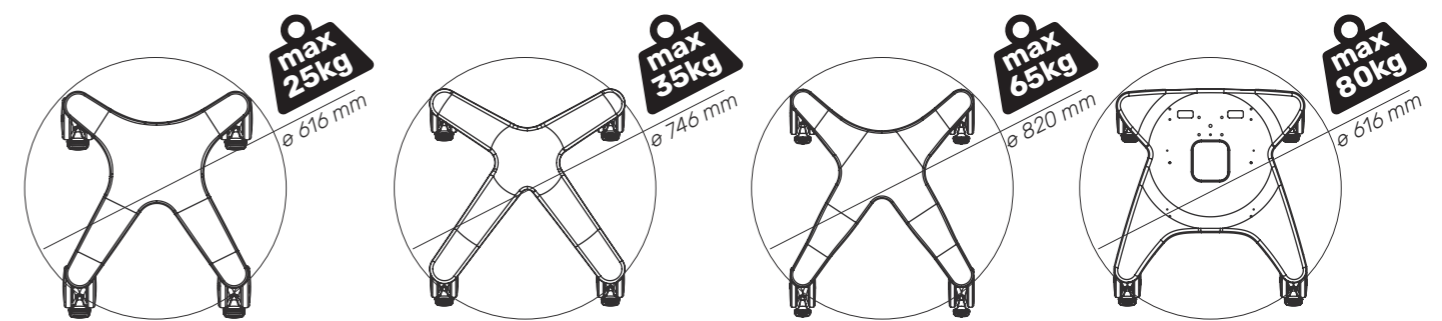
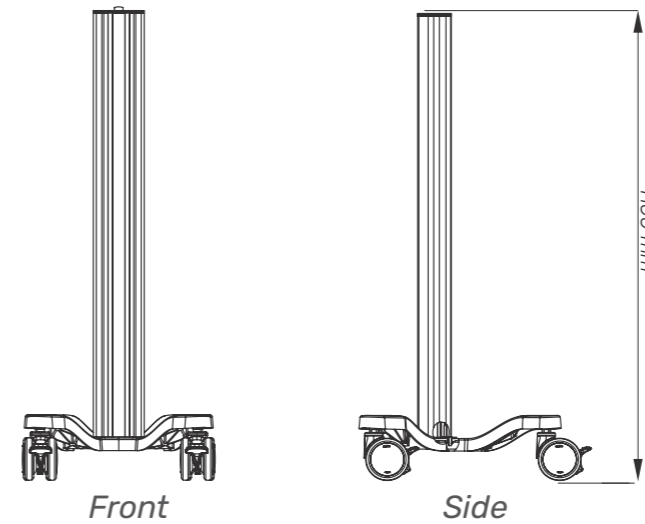
Built in channels to fix accessories



Different bases with lockable wheels

# Cart Properties

## Dimensions and mechanical data



Range 4 - B1 Base

Range 6 - B3 Base

Range 7 - B4 Base

Range 8 - B6 Base



### Mechanical data

Height	Max: 1500 mm
Wheel construction	Polyamide with Polyurethane tread
Wheels/locking	2 lockable, 100mm diameter
Loading capacity up to 1 meter	B1: 25kg, B3: 35kg; B4: 65kg; B6: 80kg

### Construction

Main material	Aluminium
---------------	-----------

### Color

RAL 9016	
Custom color	

### Certificates

Certificates conforms to	IEC60601-1:2012 (Edition 3)
CE	Rohs compliant

# Example of a Giraffe Cart

All the accessories shown are available in stock.  
For unique accessory requests please contact us!

## VESA MOUNT VES2

- Tilt and rotatable display mount up 24"

## COLUMN C5-L4

- C5 Column
- L4 - 996 mm tall
- Custom wrapping
- Cable management in body
- Column channels to fix accessories
- Aluminum

## SNAKE ARM

### SNA2-C5M-051-VM

- Multipurpose arm
- Cable management

## WORKTOP CUSTOM

- Acrylic
- Cable holder

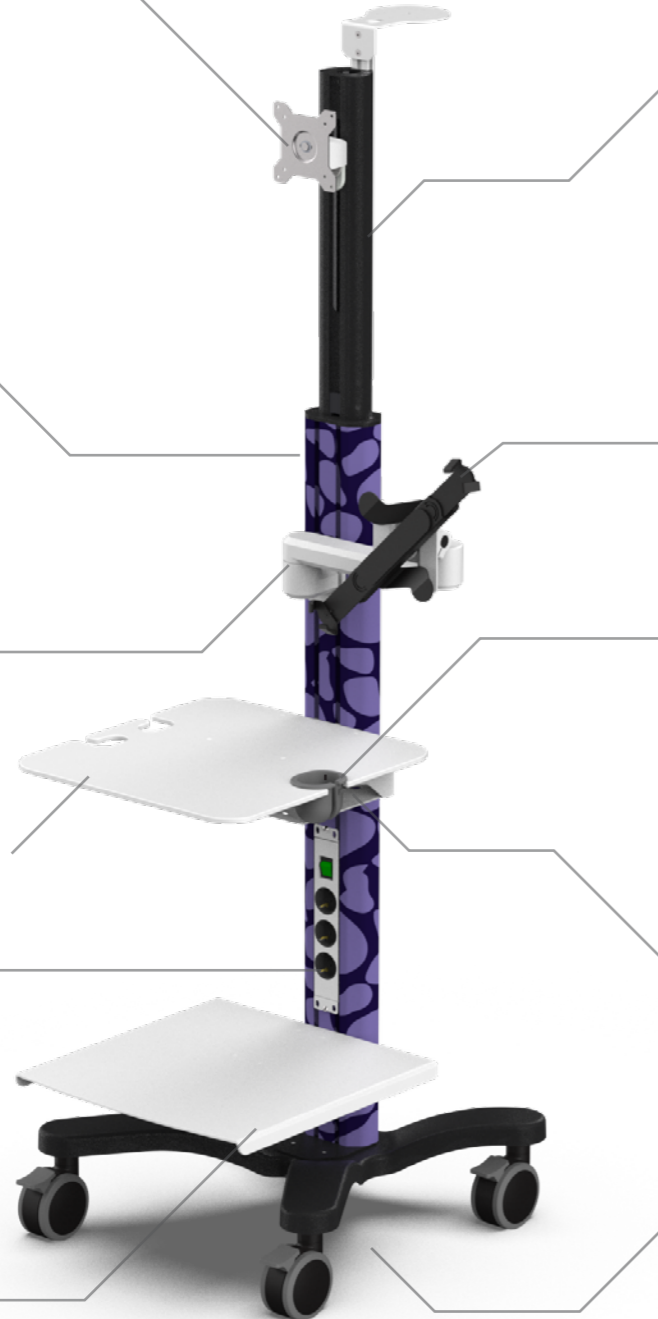
## POWER STRIP

### PDU3

- 3 plugs
- ON/OFF switch

## SHELF S10

- Aluminum 4 mm
- 430x370 mm



## CAMERA MOUNT CM2

- 500 mm tall
- 300 mm extension
- Cable management inside

## TABLET MOUNT TM2

- For 9.5"-16.5" tablets

## HARDWARE INSERT SR2

- Rubber insert for scanners and equipments

## POWER SUPPLY HOLDER

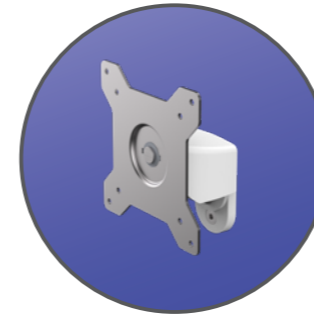
- Hidden under the shelf

## BASE B3-W4

- B3 Base
- W4 100 mm wheels (Rubber coated)
- Aluminum
- Black painting
- 65 kg max. load

# Equipped Giraffe Cart

Other possible accessories shown in the pictures.  
List of all accessories shown on next pages.



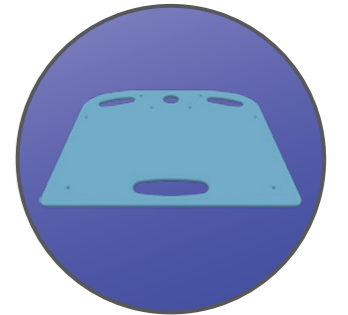
Display and tablet mount options



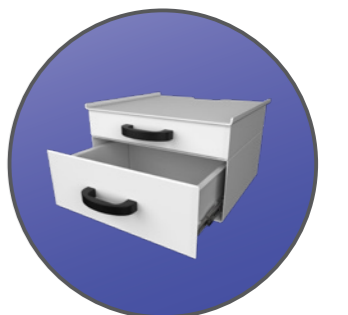
Power supplies, battery pack and its accessories



Base options according to your needs. Smaller footprint or higher level of stability.



Worktop options available



Drawers, shelves and storages available

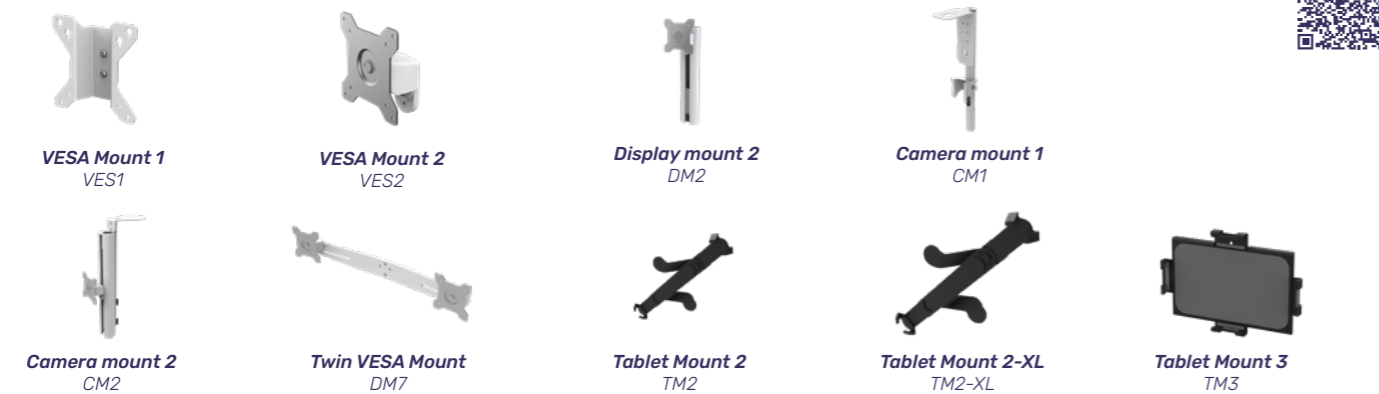
# Accessories for Giraffe

Click or scan the QR Codes for Datasheets.

## Quick Release options



## Display and Tablet Mount options



## Holder options



## Gas bottle holders



# Accessories for Giraffe

Click or scan the QR Codes for Datasheets.

## Keyboard tray and DIN Rail options



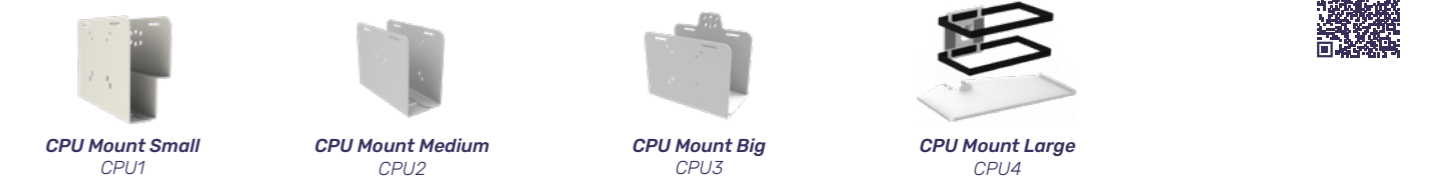
## PSU Holder options



## Shelf options



## CPU Mount options



## Drip Pole Clamp and Drip Pole options





# Accessories for Giraffe

Click or scan the QR Codes for Datasheets.

## Storage and Handle options



Small Basket  
ST1-C5



Large Basket  
ST2-C5



Storage Bin  
ST3-C5



Small Basket  
ST6-C5



Large Basket  
ST7-C5



Storage Bin  
ST8-C5



Handle and Storage  
ST5-C5



Handle  
H1-C5



## Power function options



Isolation transformer 300VA  
POW-IT1



Isolation transformer 600VA  
POW-IT3



Isolation transformer 1000VA  
POW-IT5



Battery Pack  
PWP



Power strip 3  
PDU3



Power strip 4  
PDU4



Power strip 5  
PDU5



Power strip 8  
PDU8



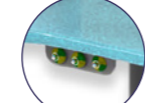
Potential Equalisation pin  
POW-A2-15/25



Potential Equalisation socket  
POW-A3-15/25

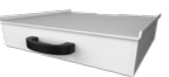


Potential Equalisation cable  
POW-A4-3/5



POAG Studs  
POW-A1

## Drawer options



Drawer 1  
D1



Drawer 2  
D2



Drawer 3  
D3



Drawer 4  
D4



Drawer 5  
D5



Drawer 6  
D6



Drawer 7  
D7



Drawer 8  
D8



Drawer 9  
D9



Drawer 10  
D10



Drawer 11  
D11



# Accessories for Giraffe

Click or scan the QR Codes for Datasheets.

## Arm options



Snake 1 Arm  
SNA1-XX-L3-FLH



Snake 2 double pin arm  
SNA2-XX-051-DP



Snake 2 quick release arm  
SNA2-XX-051-QR



Snake 2 VESA arm  
SNA2-XX-051-VM



Snake 2 double pin arm  
SNA2-XX-052-DP



Snake 2 quick release arm  
SNA2-XX-052-QR



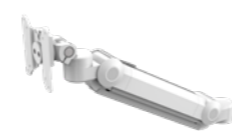
Snake 2 VESA arm  
SNA2-XX-052-VM



Snake 2 double pin arm  
SNA2-XX-061-DP



Snake 2 quick release arm  
SNA2-XX-061-QR



Snake 2 VESA arm  
SNA2-XX-061-VM



Snake 2 double pin arm  
SNA2-XX-062-DP



Snake 2 quick release arm  
SNA2-XX-062-QR



Snake 2 VESA arm  
SNA2-XX-062-VM



Snake 2 VESA mount  
SNA2-XX-00-VM



## Work surface options



Work surface 2  
WS3



Work surface 6  
WS6



Work surface 7  
WS7



Work surface 11  
WS11



Generic mounting plate  
MNT-1



Ultra sound work surface 2  
WS-US2



Custom colored  
Aluminum work surfaces



## Component options



Range 4 Base  
B1



Range 6 Base  
B3



Range 7 Base  
B4



Range 8 Base  
B6



100 mm Wheel  
GJM3-100-2-W4



Anti-static 100 mm Wheel  
GJM3-100-2-W6



Column:  
830/996/1500/1800 mm  
C5-L2, C5-L4, C5-L5, C5-L6



Counter balance 3.6 kg  
CBW-3



Counter balance 6 kg  
CBW-6



Rubber inserts



Custom colors & Wrappings



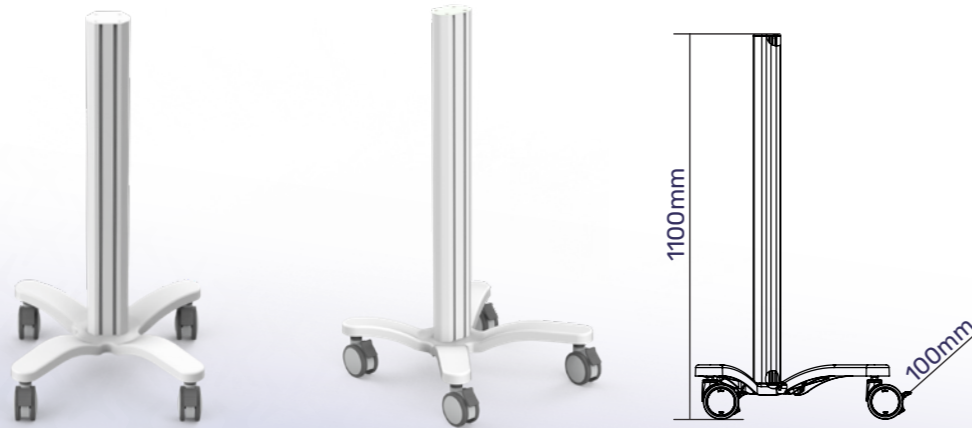
**GIR4-0**  
BASIC GIRAFFE CART



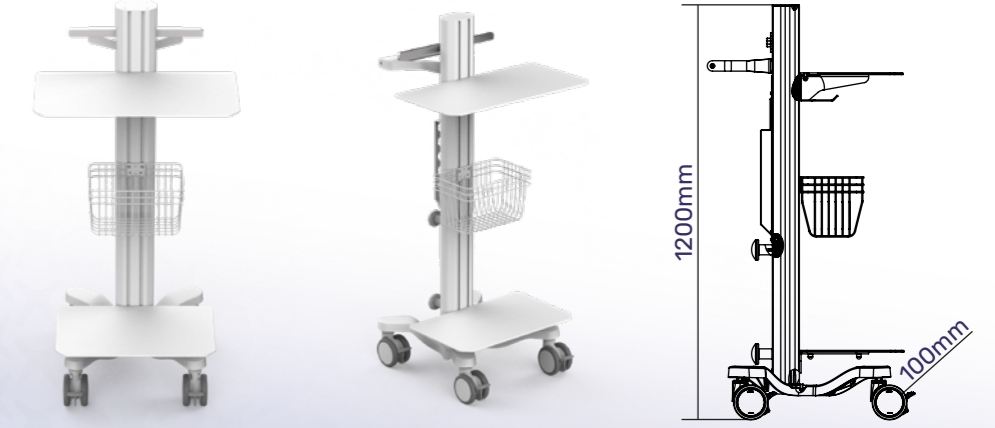
**GIR6-V0**  
GAS BOTTLE HOLDER  
HUMIDIFIER MOUNT  
BASKET & DIN RAILS



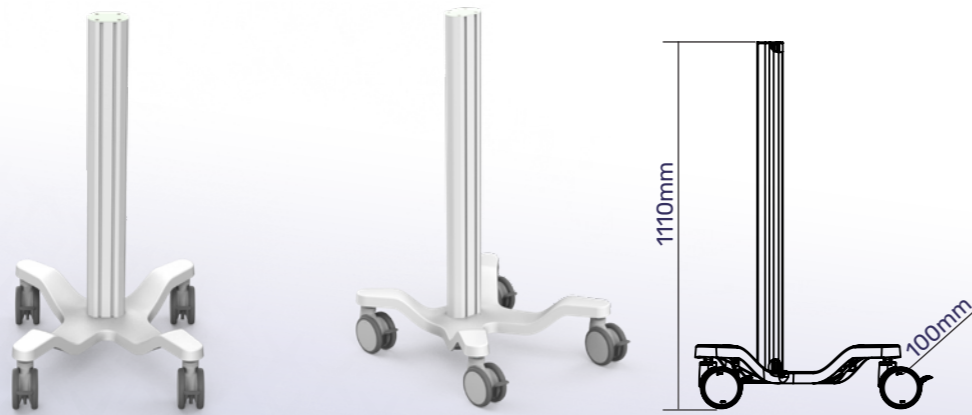
**GIR6-0**  
BASIC GIRAFFE CART



**GIR4-3-0077**  
HANDLE  
DIN RAIL  
STORAGE & SHELVES



**GIR7-0**  
BASIC GIRAFFE CART



**GIR6-3-0065**  
DISPLAY MOUNT  
STORAGE & HANDLE



**GIR8-0**  
BASIC GIRAFFE CART



**GIR6-3-0138**  
DISPLAY MOUNT  
POWER STRIP  
DRAWERS





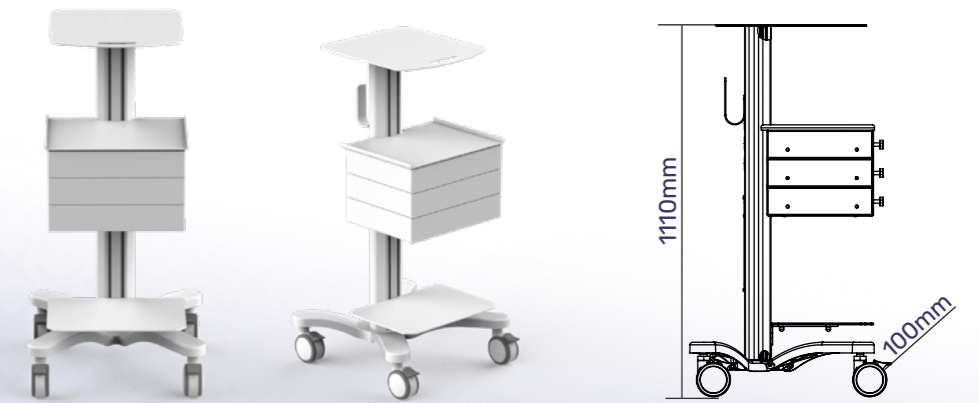
## GIR6-V0

GAS BOTTLE HOLDER  
HUMIDIFIER MOUNT  
BASKET & DIN RAILS



## GIR6-3-0112

BUILT IN POWER STRIP  
DRAWERS & SHELVES  
WORKTOP & HANDLE



## GIR6-3-0083

DISPLAY & TABLET MOUNT  
POWER STRIP  
DRIP POLE



## GIR6-3-0061

DISPLAY MOUNT  
COMPUTER HOLDER  
KEYBOARD TRAY



## GIR6-3-0076

WORK SURFACE  
DISPLAY MOUNT  
POWER STRIP



## GIR7-3-0099

DISPLAY MOUNT  
GAS SPRING ARM  
TRANSFER HOLDER



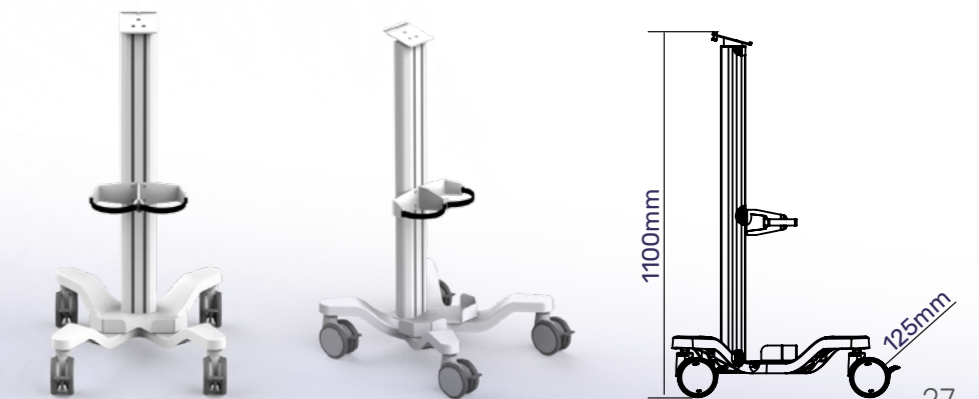
## GIR6-3-0098

GAS SPRING ARM  
VESA MOUNT  
DRAWER & SHELVES



## GIR7-6-G

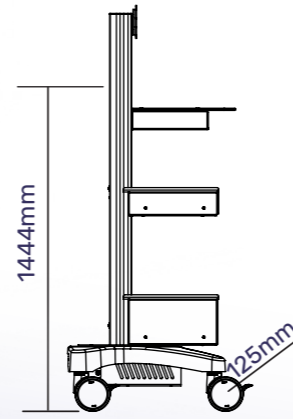
TWIN BOTTLE HOLDER  
QUICK RELEASE MOUNT





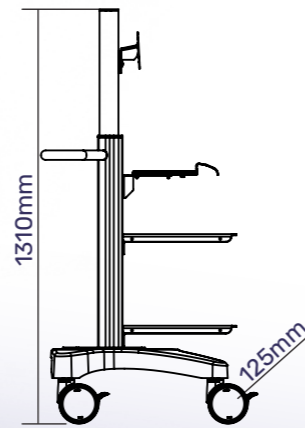
## GIR8-3-0163

DISPLAY MOUNT  
TRANSFORMER HOLDER  
POWER STRIP



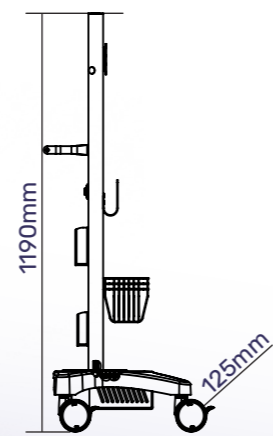
## GIR8-3-0137

VESA  
KEYBOARD TRAY  
SHELVES



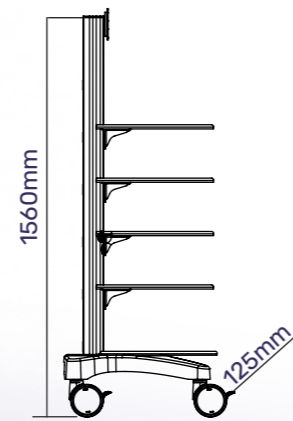
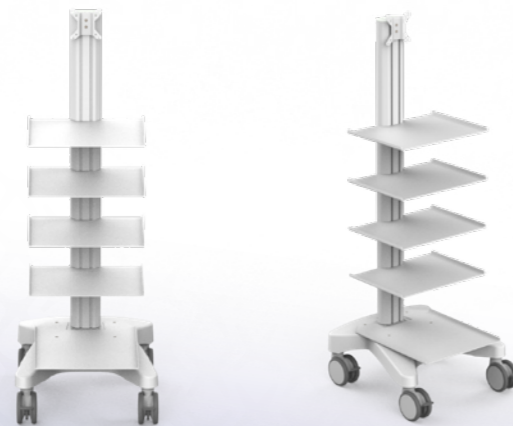
## GIR8-3-0173

DISPLAY MOUNT  
TRANSFORMER HOLDER  
STORAGE & HANDLE



## GIR8-3-0090

SHELVES  
DISPLAY MOUNT



# CHAMELEON RANGE



Optional mounting. (Tablet Mount, Display Mount, Laptop Mount)

Column height adjustable between 775 and 1135 mm

Column can be fitted with a wide range of accessories.

Three different base options

Optional 100 or 125 mm diameter antistatic wheels.



# Chameleon Carts

Height adjustable cart  
for general purposes

## Chameleon Range



**Ergonomic**



**Easy to clean**



**Multi purpose**



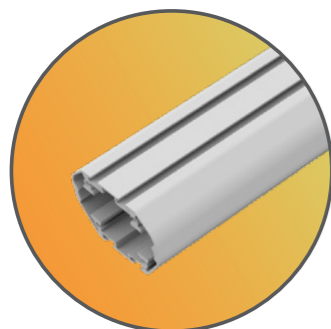
**Lifetime warranty**



**Quick setup**



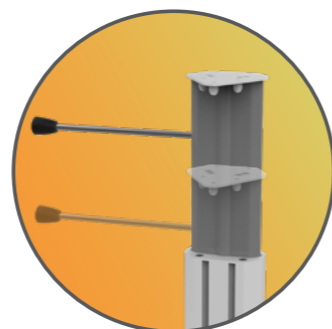
## FEATURES



Built in channels to fix accessories



Different bases with lockable wheels



Height adjustment



Designed and manufactured in Hungary, products are typically 100% recyclable and upgradable in the future. Raw materials are sourced locally or in the EU.

# Cart Properties

Dimensions and mechanical data



More info on website



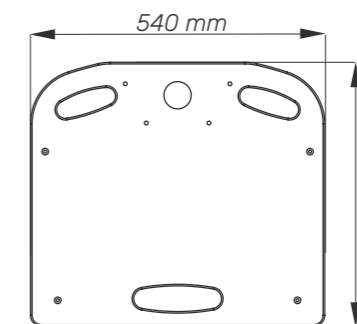
Range 7 - B4 Base



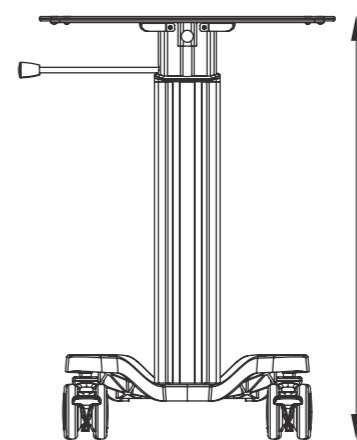
Range 6 - B3 Base



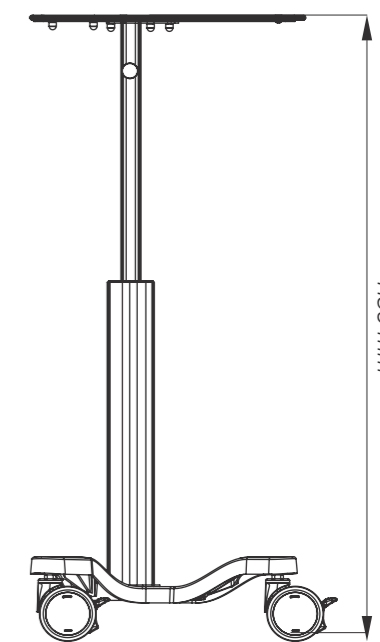
Range 4 - B1 Base



Worksurface



Front



Side

### Mechanical data

Height	Min: 760 mm Max: 1130 mm
Wheels/locking	2 lockable, 100mm diameter
Loading capacity up to 1 meter	B1: 25kg, B3: 35kg; B4: 65kg;

### Construction

Main material	Aluminium, PMMA
---------------	-----------------

### Color

RAL 9016	
Custom color	

### Certificates

Certificates conforms to	IEC60601-1:2012 (Edition 3)
CE	Rohs compliant



## Example of a Chameleon Cart

All the accessories shown are available in stock.  
For unique accessory requests please contact us!

### LAPTOP MOUNT LM4

- Depth adjustable
- Up to 17" laptops

### GEL HOLDER GH1

- DIN Rail mounted

### KEYBOARD TRAY KB2

#### KB2

- Wrist support
- Mouse holder
- Mouse tray
- Can be hidden under work surface

### DRAWERS D2

- Push to open
- Shelf on top

### COLUMN C5-L4

- C5H Column
- Variable height 760-1130 mm
- Gas spring
- Custom wrapping
- Column channels to fix accessories
- Aluminum

### LAPTOP PROTECTOR LM1

- 424 mm wide
- Up to 17" laptops

### WORK SURFACE WS6

- 540x485 mm
- Aluminium, colored

### SCANNER HOLDER SH1

- DIN Rail mounted

### DIN RAIL DR1

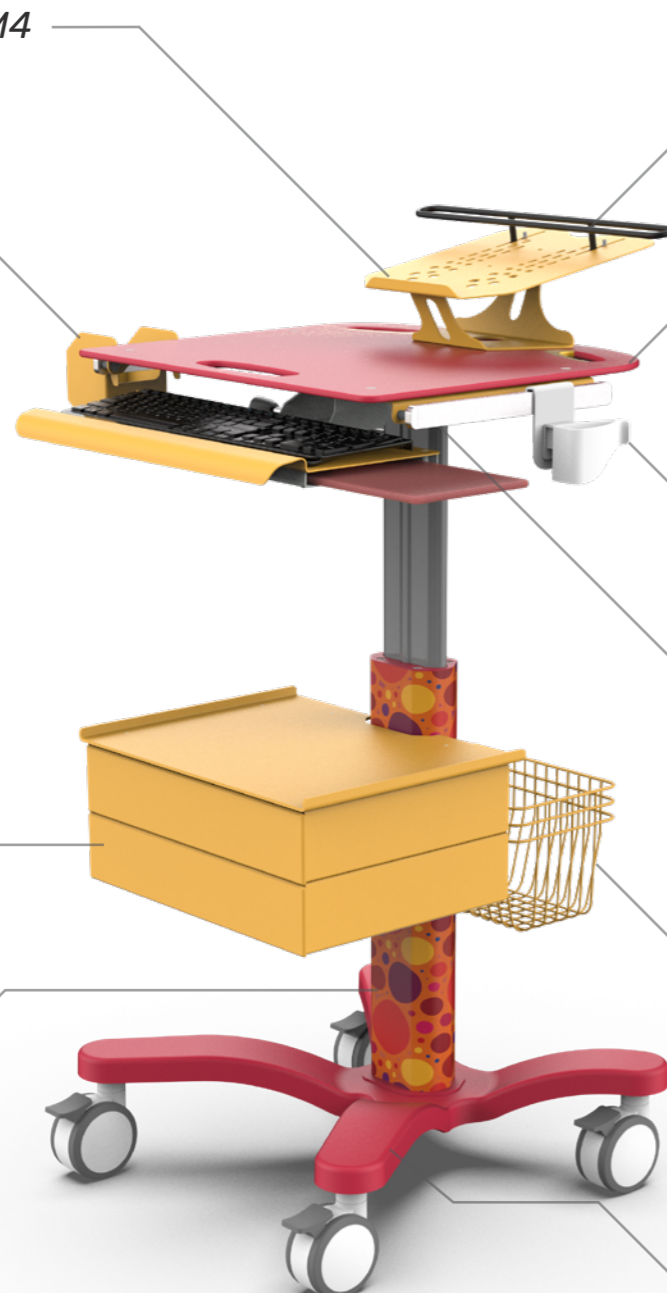
- 300x10x25 mm

### STORAGE ST1

- Hidden under the shelf

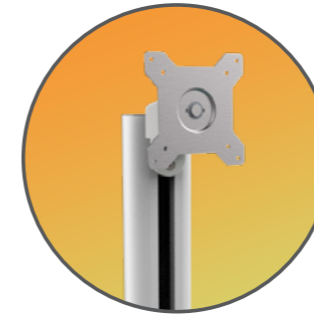
### BASE B3-W4

- B3 Base
- W4 100 mm wheels (Rubber coated)
- Aluminum
- Cherry painting
- 35 kg max. load

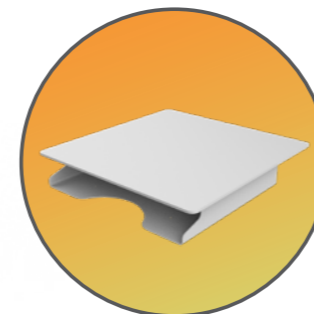


## Equipped Chameleon Cart

Other possible accessories shown in the pictures.  
List of all accessories shown on next pages.



Display and tablet mount options



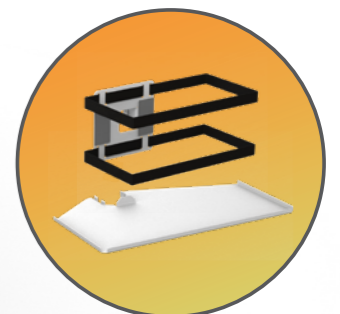
Drawers, shelves and storages available



Base options according to your needs. Smaller footprint or higher level of stability.



Battery pack and power supply accessories



Desktop computer and other mounting solutions available



# Accessories for Chameleon

Click or scan the QR Codes for Datasheets.

## Display and Tablet Mount options



VESA Mount 1  
VES1



VESA Mount 2  
VES2



Display mount 2  
DM2



Display mount 5  
DM5



Display mount 6  
DM6



Display mount 7  
DM7



Display mount 8  
DM8



Display mount 9  
DM9



Camera mount 1  
CM1



Camera mount 2  
CM2



Tablet Mount 2  
TM2



Tablet Mount 2-XL  
TM2-XL



Tablet Mount 3  
TM3

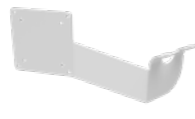
## Holder options



Mouse Holder  
MH1



Scanner Holder 1  
SH1



Scanner Holder 2  
SH2



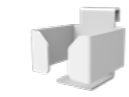
Scanner Holder 3  
SH3



Scanner Holder 4  
SH4



Gel Holder 1  
GH1



Gel Holder 2  
GH2



Gel Holder 3  
GH3



Cable Hook  
CH1-C2



Cable Hook  
CH2-C2



Rubber Scanner Holder 1  
SR1



Rubber Scanner Holder 2  
SR2



Rubber Scanner Holder 3  
SR3



Humidifier mount  
AM1

## Gas bottle holders



Gas Bottle Holder 1  
GBH1

# Accessories for Chameleon

Click or scan the QR Codes for Datasheets.

## DIN Rail options

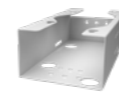


Din Rail 300x10x25mm  
DR1



Din Rail 400x10x25mm  
DR3-C5

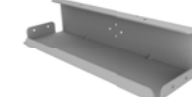
## PSU Holder options



PSU Holder 1  
PSH1-C5



PSU Holder 2  
PSH2-C5



PSU Holder 3  
PSH4-C5



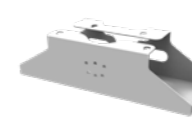
PSU Holder 4  
PSH4-C5



PSU Holder 5  
PSH5-C5



PSU Holder 7  
PSH7-C5



PSU Holder 8  
PSH8-C5



PSU Holder 9  
PSH9-C5

## Shelf options



Shelf 1  
S1-C5



Shelf 2  
S2-C5



Shelf 3  
S3-C5



Shelf 4  
S4-C5



Shelf 6  
S6-C5



Shelf 8  
S8-C5



Shelf 10  
S10-C5



Shelf 11  
S11-C5

## CPU Mount options



CPU Mount Small  
CPU1



CPU Mount Medium  
CPU2



CPU Mount Big  
CPU3



CPU Mount Large  
CPU4

## Drip Pole Clamp and Drip Pole options



Drip Pole Clamp 12.7mm  
DRC1



Drip Pole Clamp 25mm  
DRC2



Drip Pole  
IV1

# Accessories for Chameleon

Click or scan the QR Codes for Datasheets.

## Storage options



Small Basket  
ST1-C5



Large Basket  
ST2-C5



Storage Bin  
ST3-C5



Small Basket  
ST6-C5



Large Basket  
ST7-C5



Storage Bin  
ST8-C5



Handle and Storage  
ST5-C5

## Power function options



Power strip 3  
PDU3



Power strip 4  
PDU4



Power strip 5  
PDU5



Power strip 8  
PDU8



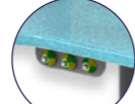
Potential Equalisation pin  
POW-A2-15/25



Potential Equalisation socket  
POW-A3-15/25



Potential Equalisation cable  
POW-A4-3/5



POAG Studs  
POW-A1



Battery Pack  
PWP

## Drawer options



Drawer 1  
D1



Drawer 2  
D2



Drawer 3  
D3



Drawer 4  
D4



Drawer 5  
D5



Drawer 6  
D6



Drawer 7  
D7



Drawer 8  
D8



Drawer 9  
D9



Drawer 10  
D10



Drawer 11  
D11

# Accessories for Chameleon

Click or scan the QR Codes for Datasheets.

## Arm options



Snake 1 Arm  
SNA1-XX-L3-FLH



Snake 2 VESA mount  
SNA2-XXX-00-VM



## Work surface options



Work surface 3  
WS3



Work surface 6  
WS6



Work surface 7  
WS7



Work surface 11  
WS11



Work surface 13  
WS13



Work surface 15  
WS15



Ultra sound work surface 3  
WS-US3



Ultra sound work surface 2  
WS-US2



Custom colored  
Aluminum work surfaces

## Component options



Range 4 Base  
B1



Range 6 Base  
B3



Range 7 Base  
B4



Counter balance 3.6 kg  
CBW-3



Counter balance 6 kg  
CBW-6



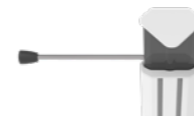
100 mm Wheel  
GJM3-100-2-W4



Anti-static 100 mm Wheel  
GJM3-100-2-W6



Rubber inserts



Height adjustable column  
C5H

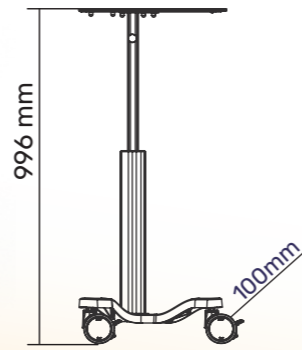
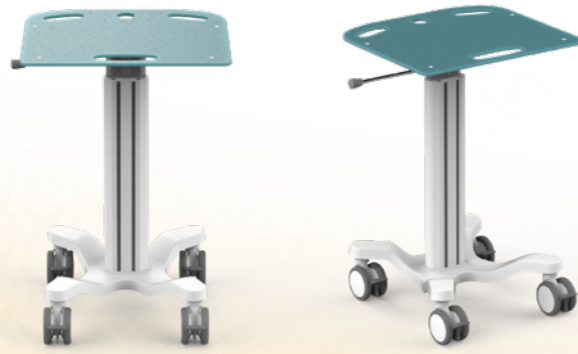


Custom colors & Wrappings



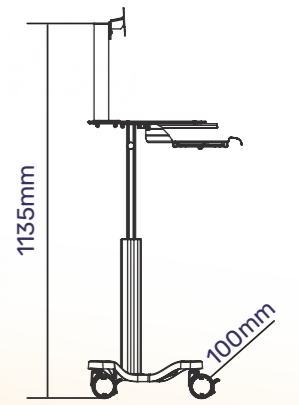
## CHA4-0

BASIC



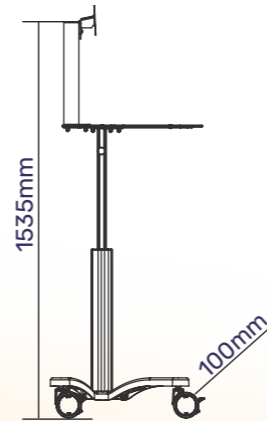
## CHA4-4

DISPLAY MOUNT  
KEYBOARD TRAY



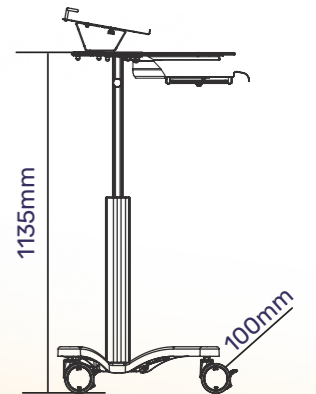
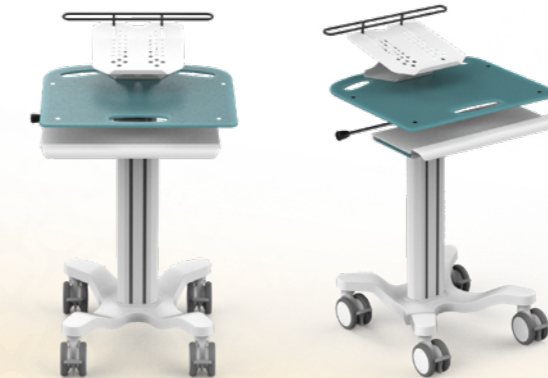
## CHA4-1

DISPLAY MOUNT



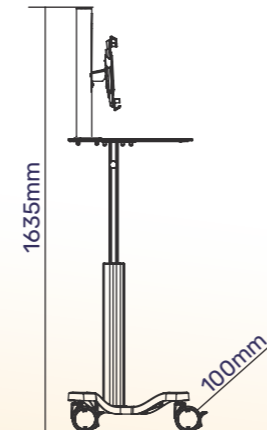
## CHA4-5

LAPTOP MOUNT  
KEYBOARD TRAY



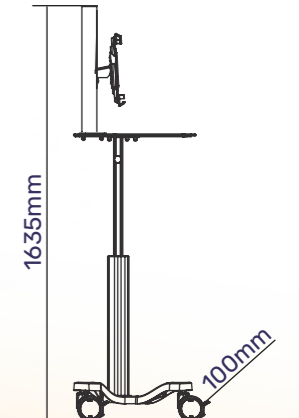
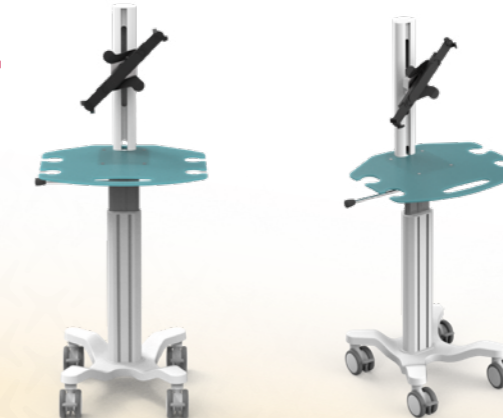
## CHA4-2

TABLET MOUNT



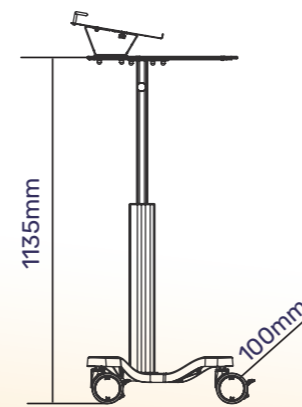
## CHA4-TM2-WS12

TABLET MOUNT  
SCANNER HOLDERS



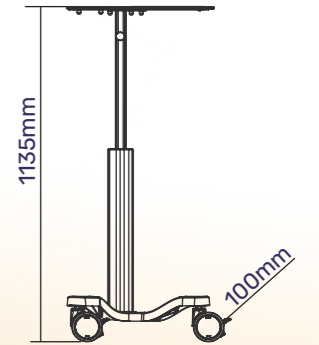
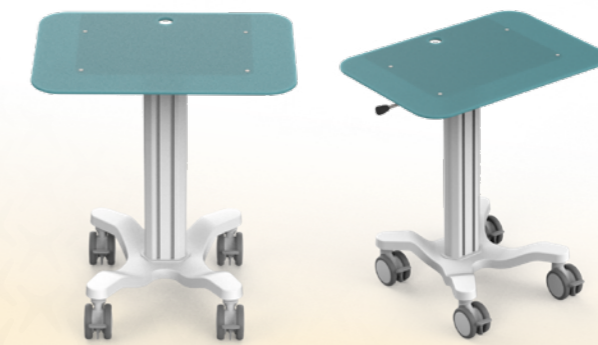
## CHA4-3

LAPTOP MOUNT



## CHA4-8

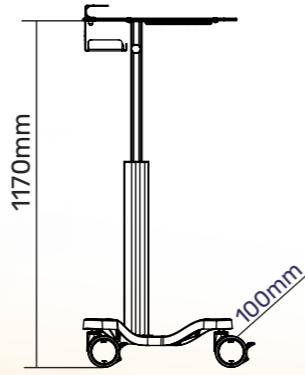
LARGE WORK SURFACE





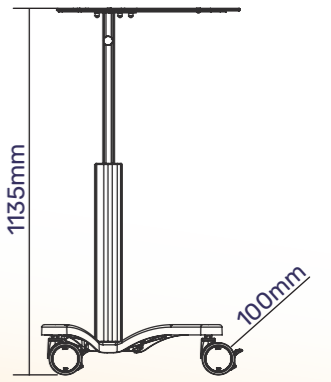
### CHA4-3-B

LAPTOP PROTECTOR  
PSU HOLDER  
MOUSE TRAY



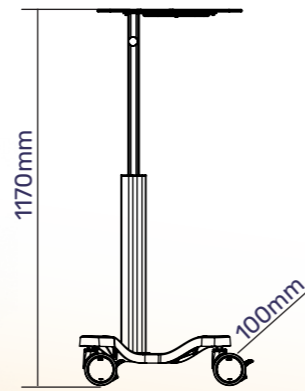
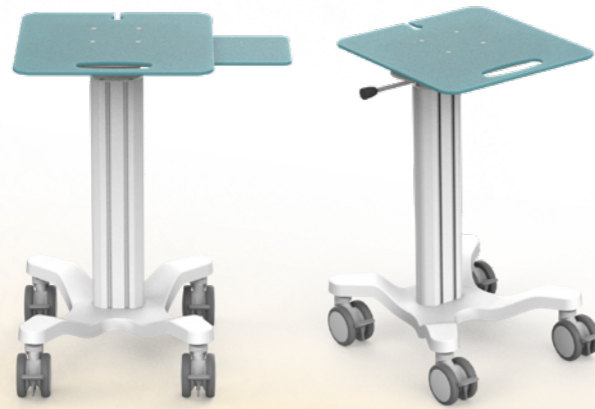
### CHA6-0

BASIC



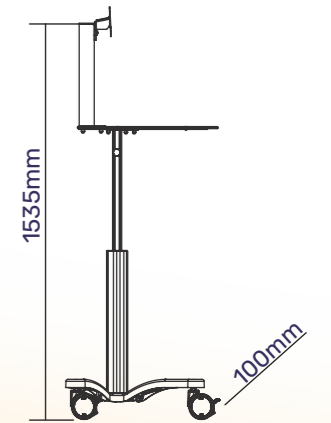
### CHA4-3-B-WS3

WORK SURFACE  
MOUSE TRAY



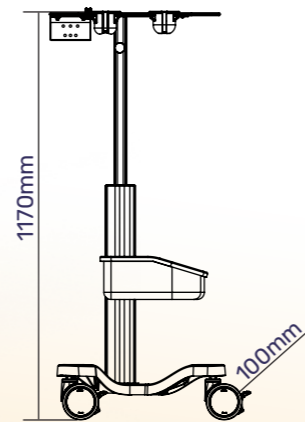
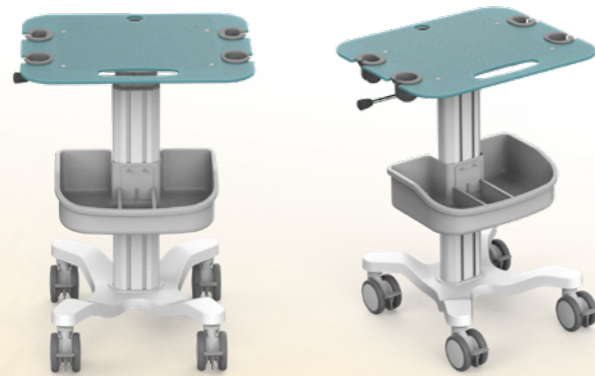
### CHA6-1

DISPLAY MOUNT



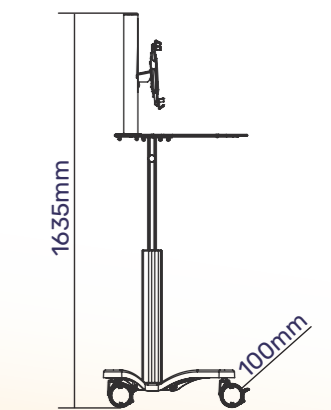
### CHA4-3-0072

SCANNER HOLDERS  
PSU HOLDER  
STORAGE



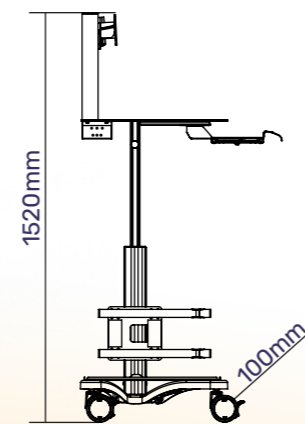
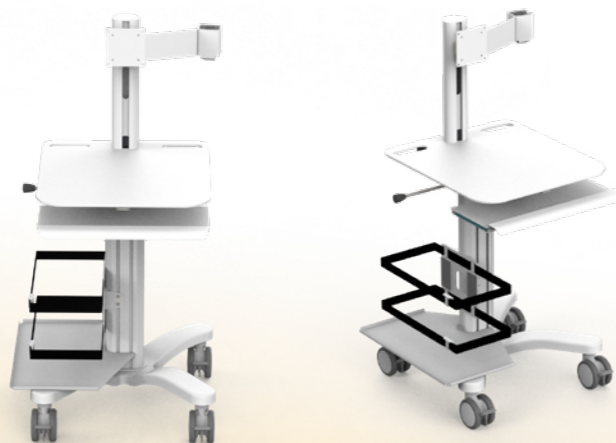
### CHA6-2

TABLET MOUNT



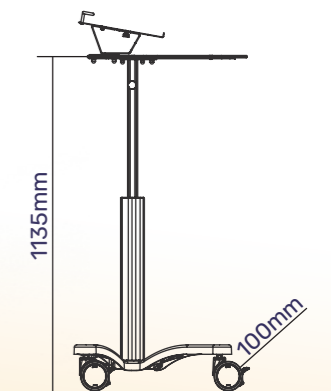
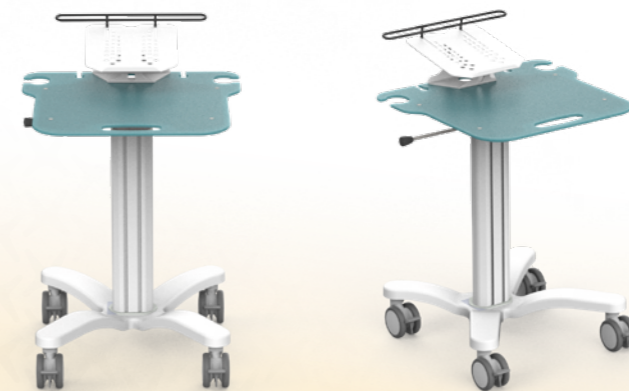
### CHA6-IMG

COMPUTER HOLDER  
DISPLAY MOUNT  
SCANNER HOLDER



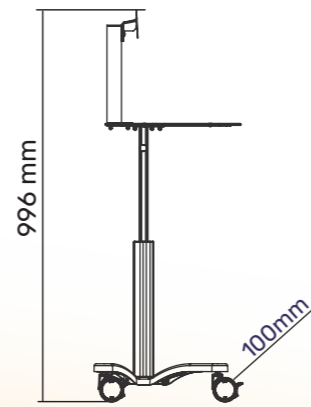
### CHA6-3

LAPTOP MOUNT

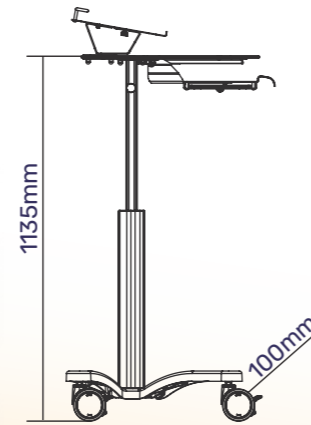
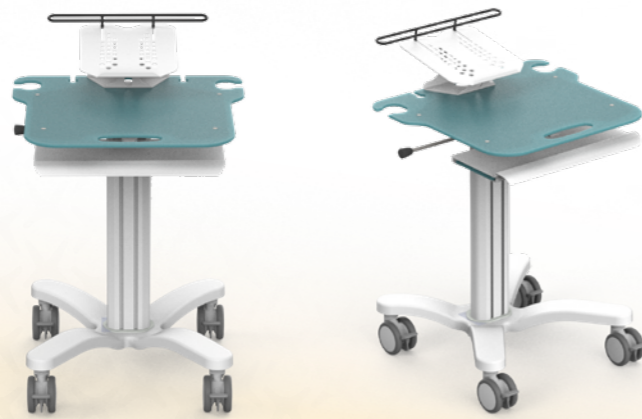




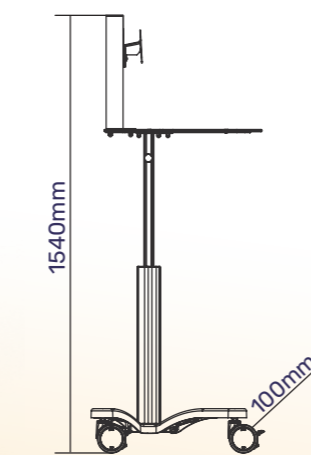
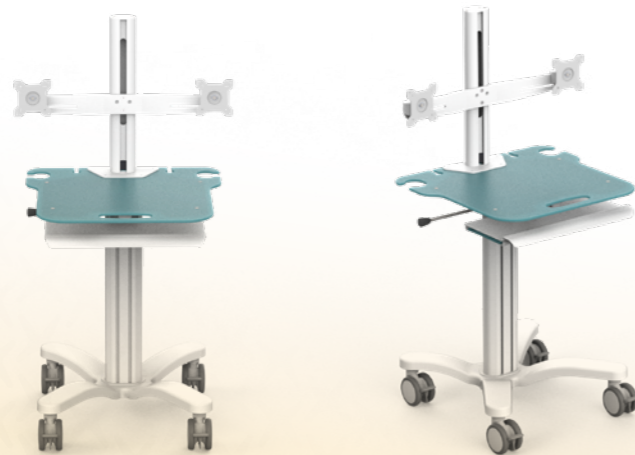
**CHA6-4**  
DISPLAY MOUNT  
KEYBOARD TRAY



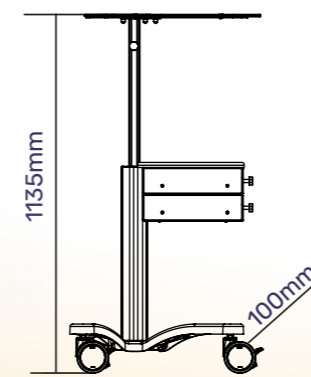
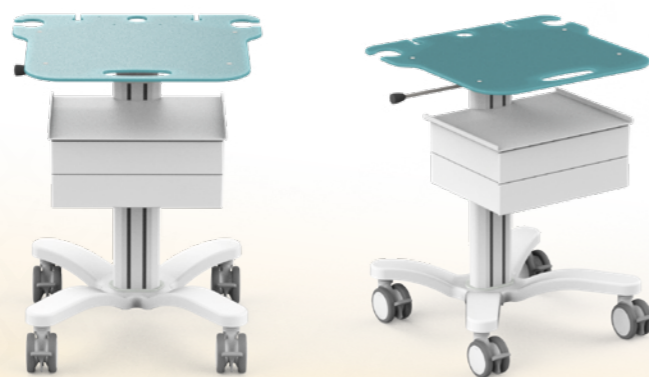
**CHA6-5**  
LAPTOP MOUNT  
KEYBOARD TRAY



**CHA6-10**  
DISPLAY MOUNTS  
KEYBOARD TRAY



**CHA6-0-D2**  
DOUBLE DRAWER



# RHINO RANGE



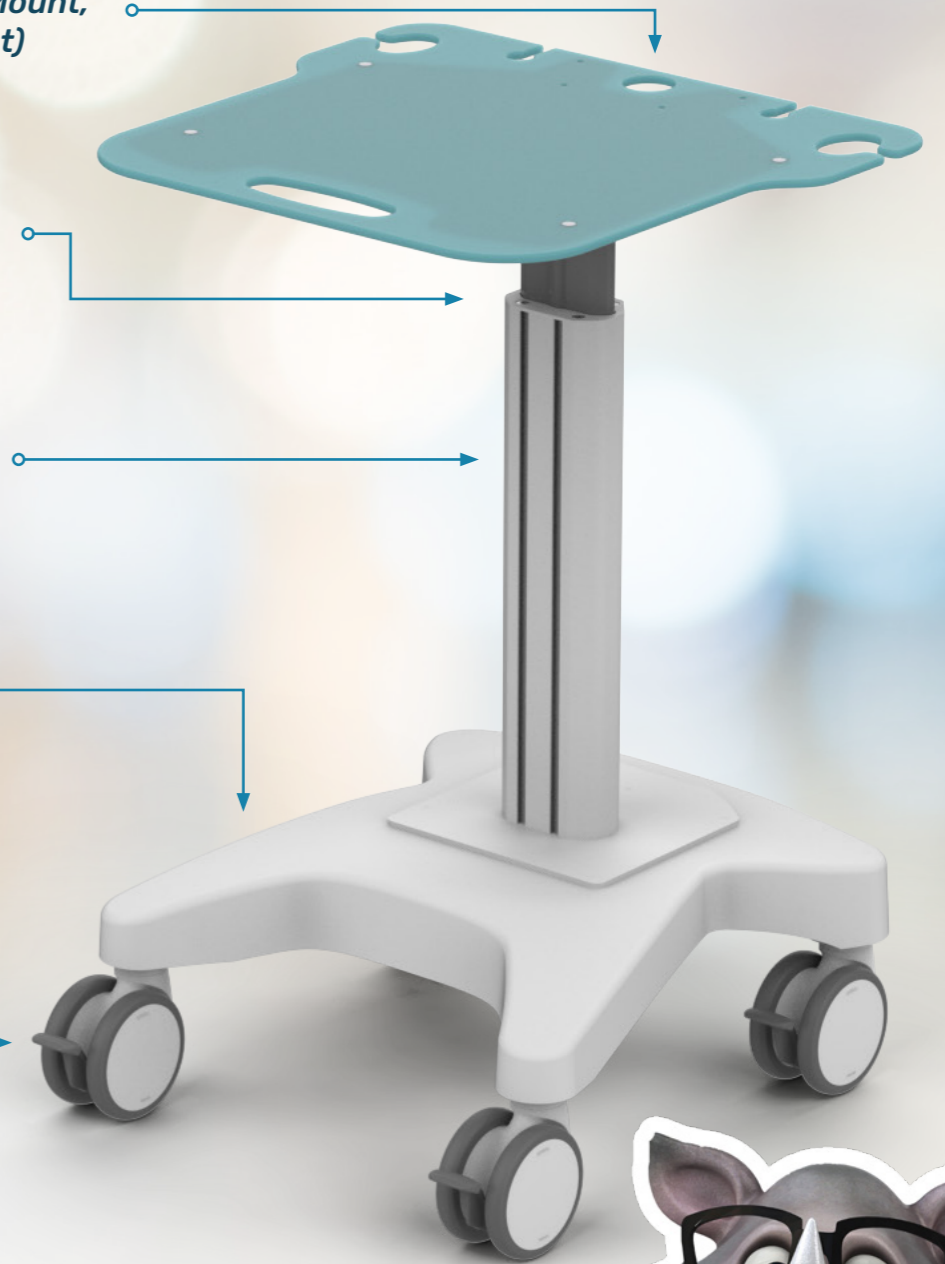
Optional mounting. (Tablet Mount, Display Mount, Laptop Mount)

Column height adjustable between 774 and 1137 mm

Column can be fitted with a wide range of accessories.

85 kg maximum load capacity base.

100 mm diameter antistatic wheels.



# Rhino carts

Height adjustable cart  
for heavy duty purposes

## Rhino Range



Ergonomic



Easy to clean



Multi purpose



Lifetime warranty



Quick setup

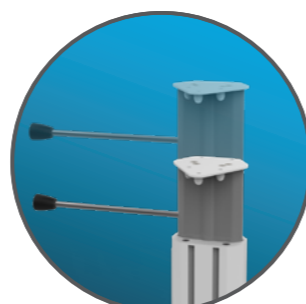


## FEATURES

Designed and manufactured in Hungary, products are typically 100% recyclable and upgradable in the future. Raw materials are sourced locally or in the EU.



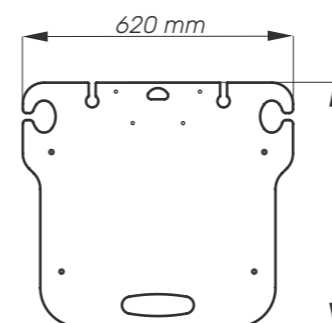
Lockable wheels



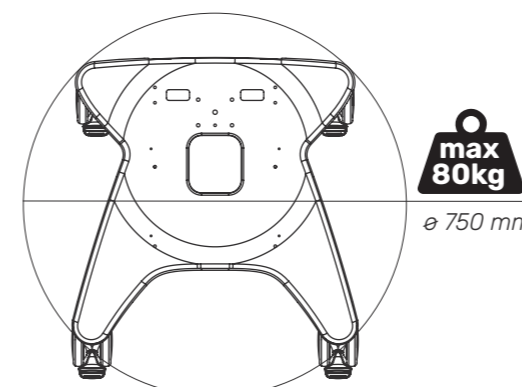
Height adjustment and column channels to fix accessories

# Cart Properties

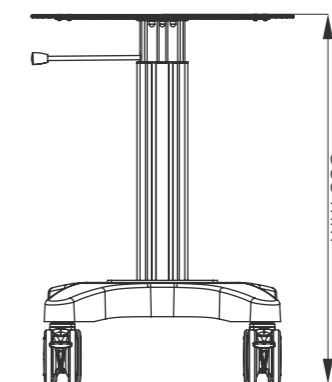
Dimensions and mechanical data



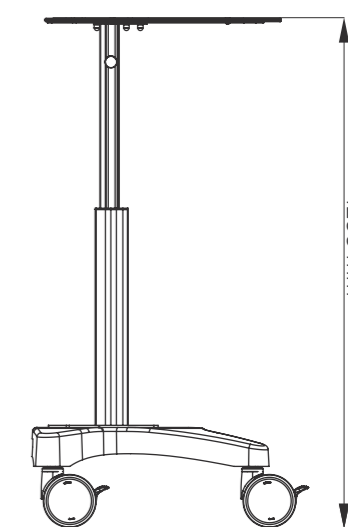
Worksurface



Top



Front



Side

### Mechanical data

Height	Min.: 865 mm Max.: 1200 mm
Wheelbase dimension	750 mm (diameter)
Work surface dimensions	Width: 620 mm Height: 560 mm
Wheels/locking	2 lockable, 125mm diameter
Loading capacity up to 1 meter	80 kg

### Construction

Main material	Aluminium
---------------	-----------

### Color

RAL 9016	
Custom color	

### Certificates

Certificates conforms to	IEC60601-1:2012 (Edition 3)
CE	Rohs compliant



# Example of a Rhino Cart

All the accessories shown are available in stock.  
For unique accessory requests please contact us!

## DISPLAY MOUNT LM4

- Height adjustable
- Up to 27" displays
- Tiltable
- Rotatable

## KEYBOARD TRAY KB2

- Wrist support
- Mouse holder
- Mouse tray
- Can be hidden under work surface

## DRAWER D5

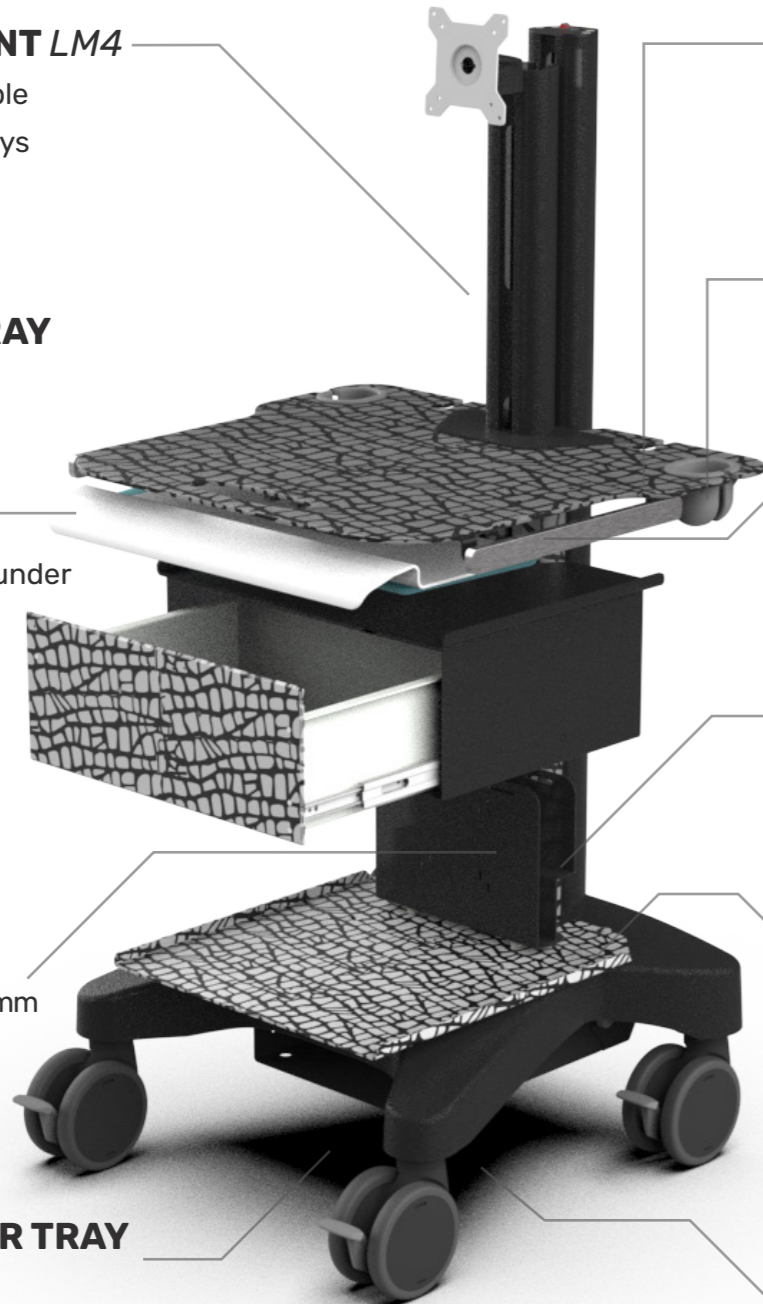
- Push to open
- Shelf on top

## COMPUTER MOUNT CPU1

- 250x221x47/97 mm
- Variable width

## TRANSFORMER TRAY ITT1

- Potential equalisation pin on housing
- 260x124x305 mm internal dimension



## WORK SURFACE WS11

- 540x620 mm
- Acrylic, available in aluminium

## RUBBER INSERTS

- For scanners

## DIN RAIL DR1

- 300x10x25 mm

## COLUMN C5-L2

- C5 Column
- Fixed height
- Aluminum

## SHELF CUSTOM

- Custom shape
- Custom painting

## BASE B6-W4

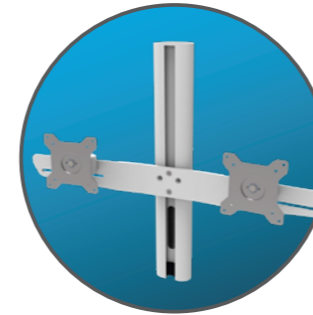
- B1 Base
- W4 100 mm wheels (Rubber coated)
- Aluminum
- Black painting

# Equipped Rhino Cart

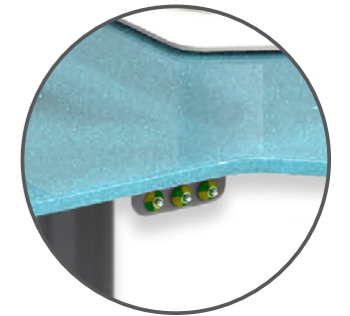
Other possible accessories shown in the pictures.  
List of all accessories shown on next pages.



Power options



Display and tablet mount options



Potential equalisation solutions



Holders for PC, devices and equipments



Work surface options, available in colored aluminum



Power supplies, battery pack and its accessories



Built-in power strips available

# Accessories for Rhino

Click or scan the QR Codes for Datasheets.

## Display and Tablet Mount options



**VESA Mount 1**  
VES1



**VESA Mount 2**  
VES2



**Display mount 2**  
DM2



**Display mount 5**  
DM5



**Display mount 6**  
DM6



**Display mount 7**  
DM7



**Display mount 8**  
DM8



**Display mount 9**  
DM9



**Camera mount 1**  
CM1



**Camera mount 2**  
CM2



**Tablet Mount 2**  
TM2

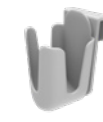


**Tablet Mount 2-XL**  
TM2-XL



**Tablet Mount 3**  
TM3

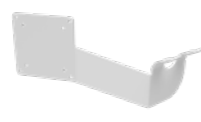
## Holder options



**Mouse Holder**  
MH1



**Scanner Holder 1**  
SH1



**Scanner Holder 2**  
SH2



**Scanner Holder 3**  
SH3



**Scanner Holder 4**  
SH4



**Gel Holder 1**  
GH1



**Gel Holder 2**  
GH2



**Gel Holder 3**  
GH3



**Cable Hook**  
CH1-C5



**Cable Hook**  
CH2-C5



**Rubber Scanner Holder 1**  
SR1



**Rubber Scanner Holder 2**  
SR2



**Rubber Scanner Holder 3**  
SR3



**Humidifier mount**  
AM1



**Transformer holder**  
ITT1

## Shelf options



**Shelf 1**  
S1-C5



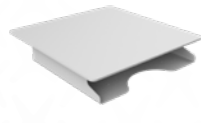
**Shelf 2**  
S2-C5



**Shelf 3**  
S3-C5



**Shelf 4**  
S4-C5



**Shelf 6**  
S6-C5



**Shelf 8**  
S8-C5



**Shelf 10**  
S10-C5



**Shelf 11**  
S11-C5

# Accessories for Rhino

Click or scan the QR Codes for Datasheets.

## DIN Rail options

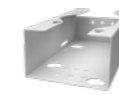


**Din Rail 300x10x25mm**  
DR1



**Din Rail 400x10x25mm**  
DR3-C5

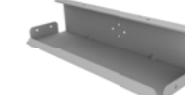
## PSU Holder options



**PSU Holder 1**  
PSH1-C5



**PSU Holder 2**  
PSH2-C5



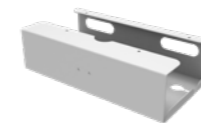
**PSU Holder 3**  
PSH4-C5



**PSU Holder 4**  
PSH4-C5



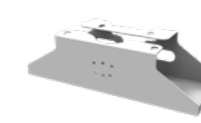
**PSU Holder 5**  
PSH5-C5



**PSU Holder 6**  
PSH6-C5



**PSU Holder 7**  
PSH7-C5



**PSU Holder 8**  
PSH8-C5

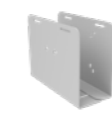


**PSU Holder 9**  
PSH9-C5

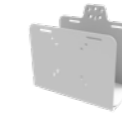
## CPU Mount options



**CPU Mount Small**  
CPU1



**CPU Mount Medium**  
CPU2



**CPU Mount Big**  
CPU3



**CPU Mount Large**  
CPU4

## Drip Pole Clamp and Drip Pole options



**Drip Pole Clamp 12.7mm**  
DRC1



**Drip Pole Clamp 25mm**  
DRC2



**Drip Pole**  
IV1

## Storage options



**Small Basket**  
ST1-C5



**Large Basket**  
ST2-C5



**Storage Bin**  
ST3-C5



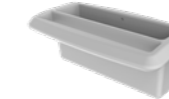
**Small Basket**  
ST6-C5



**Large Basket**  
ST7-C5



**Storage Bin**  
ST8-C5



**Handle and Storage**  
ST5-C5



# Accessories for Rhino

Click or scan the QR Codes for Datasheets.

## Power function options



**Battery Pack**  
PWP



**Isolation transformer 300VA**  
POW-IT1



**Isolation transformer 600VA**  
POW-IT3



**Isolation transformer 1000VA**  
POW-IT3



**Power strip 3**  
PDU3



**Power strip 4**  
PDU4



**Power strip 5**  
PDU5



**Power strip 8**  
PDU8



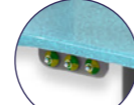
**Potential Equalisation pin**  
POW-A2-15/25



**Potential Equalisation socket**  
POW-A3-15/25



**Potential Equalisation cable**  
POW-A4-3/5



**POAG Studs**  
POW-A1

## Work surface options



**Work surface 6**  
WS6



**Work surface 7**  
WS7



**Work surface 11**  
WS11



**Custom colored**  
Aluminum work surfaces



## Drawer options



**Drawer 1**  
D1



**Drawer 2**  
D2



**Drawer 3**  
D3



**Drawer 4**  
D4



**Drawer 5**  
D5



**Drawer 6**  
D6



**Drawer 7**  
D7



**Drawer 8**  
D8



**Drawer 9**  
D9



**Drawer 10**  
D10



**Drawer 11**  
D11



# Accessories for Rhino

Click or scan the QR Codes for Datasheets.

## Arm options



**Snake 1 Arm**  
SNA1-XX-L3-FLH



## Component options



**100 mm Wheel**  
GJM3-100-2-W4



**Anti-static 125 mm Wheel**  
GJM3-125-2-W6



**Colored rubber inserts**

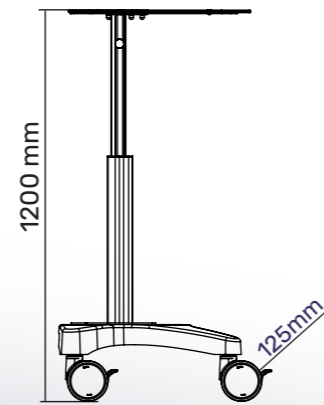


**Custom colors & Wrappings**



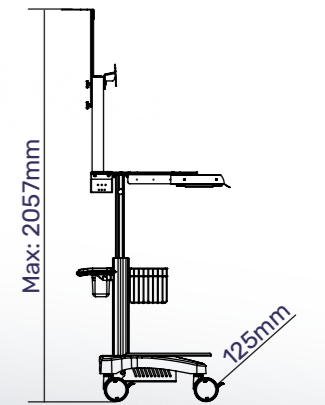
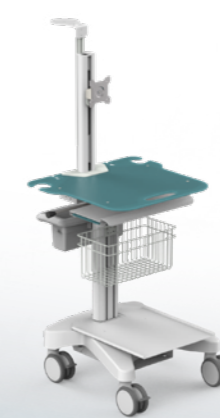
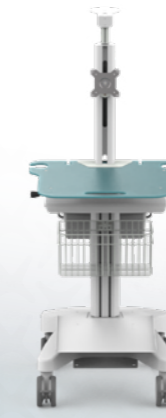
## RHI-0

BASIC



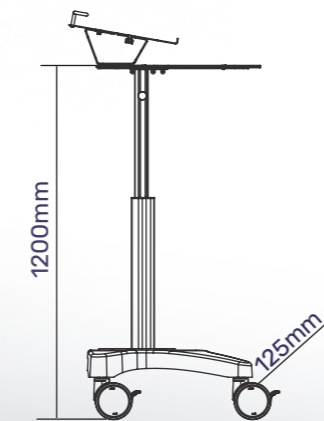
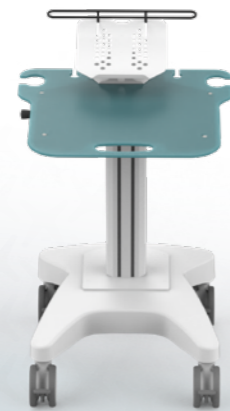
## RHI-3-0084

CAMERA MOUNT  
STORAGES  
TRANSFORMER TRAY



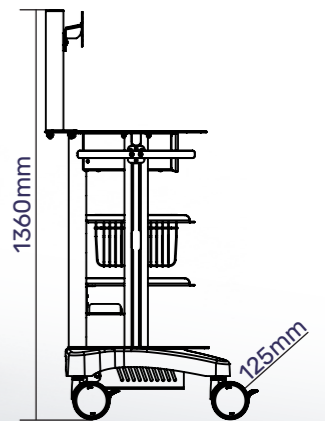
## RHI-3

LAPTOP MOUNT



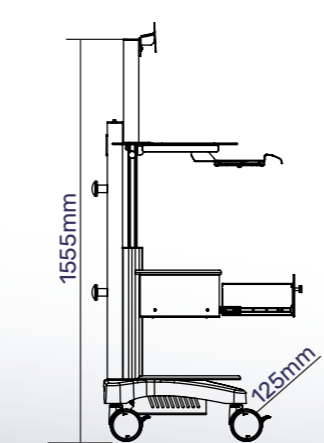
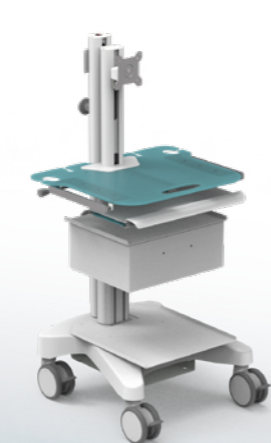
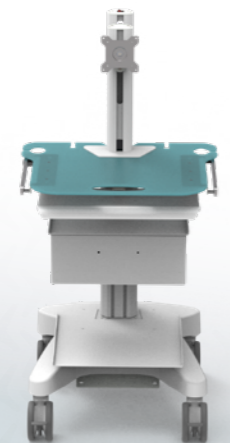
## RHI-3-0131

DISPLAY MOUNT  
DIN RAIL  
TRANSFORMER TRAY



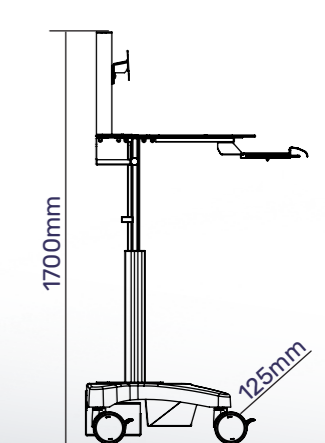
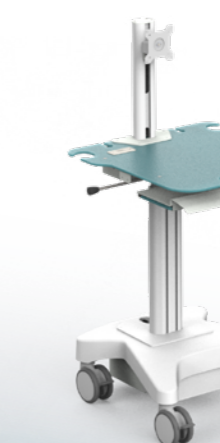
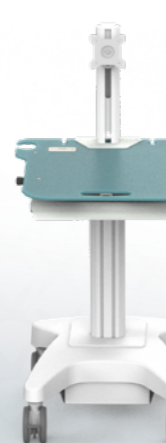
## RHI-4-E

DISPLAY MOUNT  
KEYBOARD TRAY  
TRANSFORMER TRAY



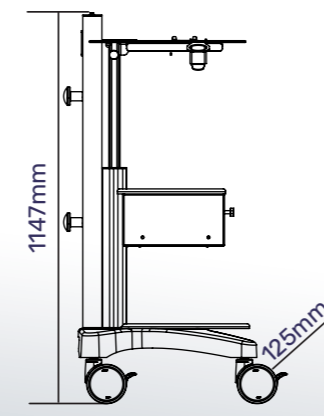
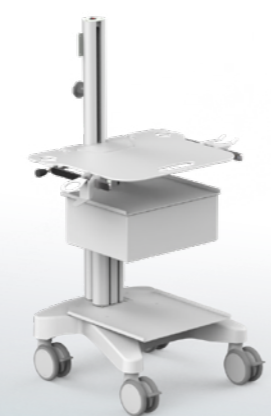
## RHI-3-0127

DIPLAY MOUNT  
KEYBOARD TRAY  
POWER FUNCTIONS



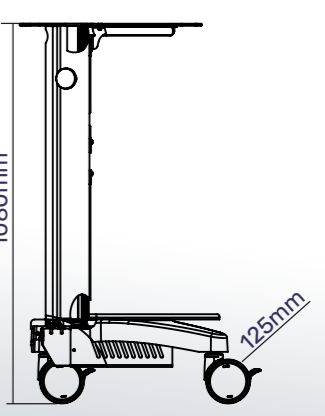
## RHI-3-0028

DRAWER  
DIN RAIL & HOLDERS  
SHELVES



## RHI-0-N

MOUNTING PLATE  
DIN RAIL  
TRANSFORMER TRAY





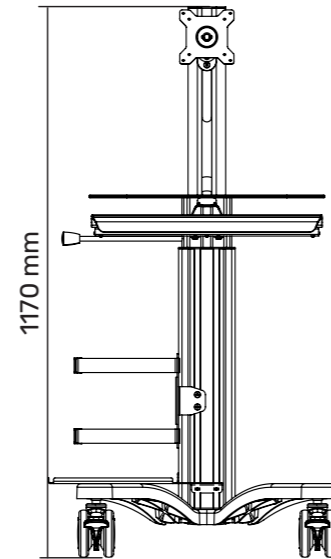
# IntraOral CART SOLUTIONS



## BEAVER 1

BV1-6-10

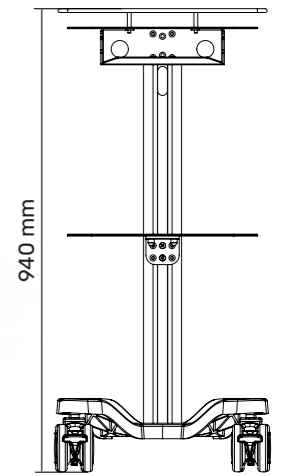
HEIGHT ADJUSTABLE  
WORK STATION



## BEAVER 4

BV4-4-3

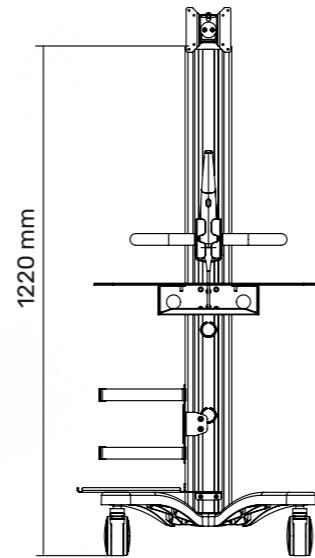
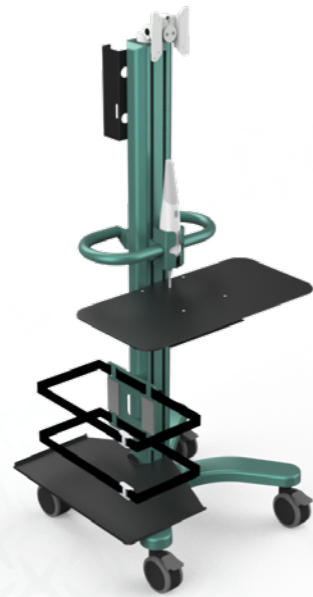
LAPTOP CART



## BEAVER 2

BV2-6-4-10

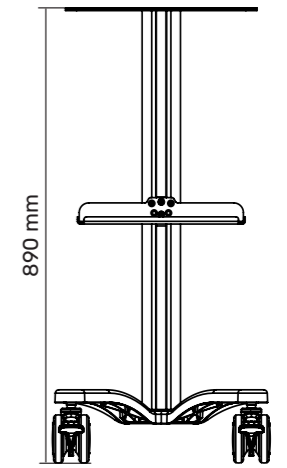
COMPUTER MOUNT  
WORK STAND



## BEAVER 5

2311-0618

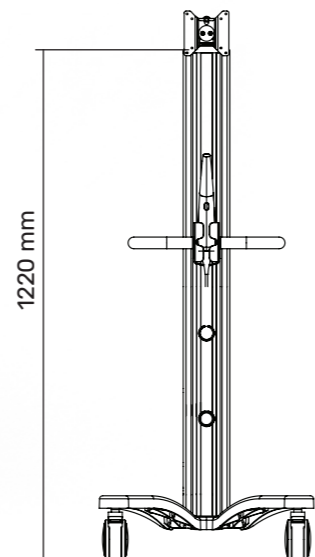
SMALL DEVICE CART



## BEAVER 3

BV3-6-1

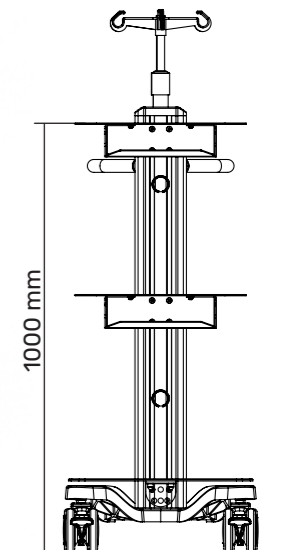
AIO COMPUTER  
WORK STAND



## BEAVER 6

BV6-4-9

PIEZO SURGERY CART





# Display Carts Range



*Lifetime warranty*



*Easy to clean*



*Multi purpose*



*Quick setup*



# Example of a Cart

The shown accessories are optional.  
Devices are shown only for illustration purposes.

## DISPLAY MOUNT DM7

- 2 VESA mounts
- Tiltable, Rotatable
- Height adjustment
- Cable management

## HANDLE H-SH3

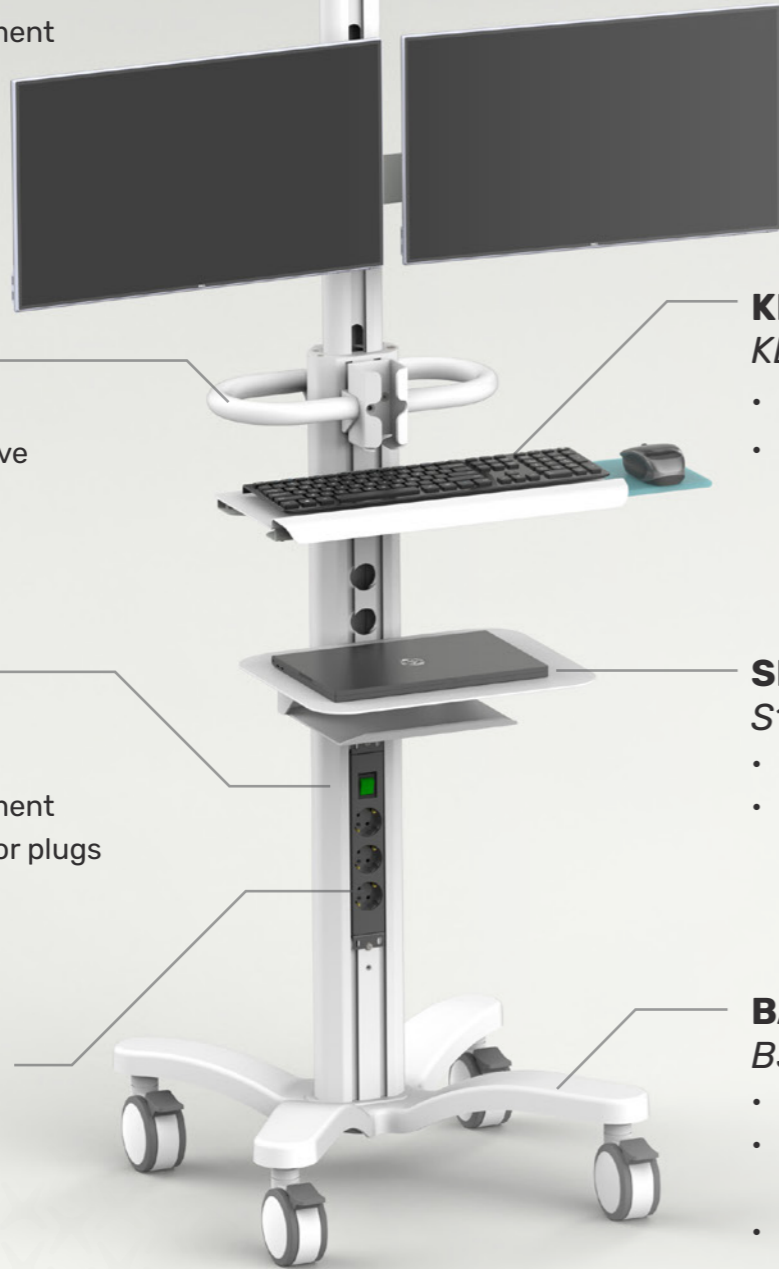
- Safe way to move the cart
- Mouse holder

## COLUMN C5-L5

- 1050 mm
- Cable management in body, holes for plugs

## POWER STRIP PDU3

- Built-in
- 3 plugs
- ON/OFF switch



## KEYBOARD TRAY KB2-C5

- Wrist support
- Mouse tray

## SHELF S11

- Designed for laptops
- Powersupply holder under it

## BASE B3-W4

- B3 Base
- W4 100 mm wheels (Rubber coated)
- Aluminum
- 35 kg max. load
- 746 mm diameter

# Accessories for Carts

List of accessories for every model.  
Click or scan the QR Code for Datasheets.



More info  
on website

## All accessories



Shelf 1  
S1-C2



Shelf 2  
S2-C2



Shelf 3  
S3-C2



Shelf 11  
S11-C5



Power strip 3  
PDU3



Power strip 4  
PDU4



Power strip 5  
PDU5



Power strip 8  
PDU8



Counter balance 3.6 kg  
CBW-3



Counter balance 6 kg  
CBW-6



Keyboard Tray  
KB2-C5



Handle  
H-SH3



Camera mount 2  
CM2

## Datasheets for VESA heads



VESA Mount 1  
VES1



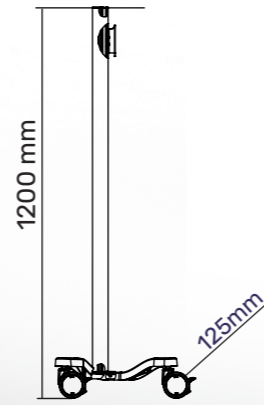
VESA Mount 2  
VES2





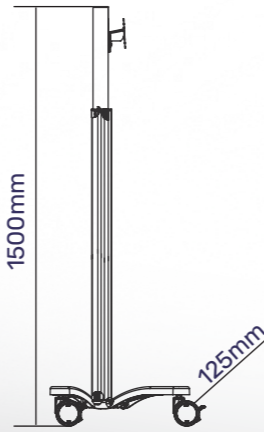
## DIS1

**Display:** up to 27"  
**Base:** 616 mm diameter  
**Column:** 1500 mm  
**Cable management:** Yes  
Height adjustable



## DIS2

**Display:** up to 27"  
**Base:** 746 mm diameter  
**Column:** 1500 mm  
**Cable management:** Yes  
Height adjustment, tilt and rotate



## DIS3

**Display:** 2x up to 24"  
**Base:** 746 mm diameter  
**Column:** 1600 mm  
**Cable management:** Yes  
Height adjustment, tilt and rotate



## DIS4

**Display:** up to 65"  
**Base:** 820 mm diameter  
**Column:** 1800 mm  
**Cable management:** Yes  
Height adjustable



# SNAKE RANGE



**ARTICULATED JOINT**  
Constant force joint  
with the ability to  
adjust the force.  
Enables a safe setup.



**SIMPLE ARM**



**TUBE HOLDER ARM**



**TABLET MOUNT ARM**



# Snake 1 Range

Snake Arm with tube holders and flexible end for light weight purposes.



**Ergonomic**  
Constant force joint that enables a safe setup



**Durable**  
2 year warranty



Designed and manufactured in Hungary, products are typically 100% recyclable and upgradable in the future. Raw materials are sourced locally or in the EU.



## FEATURES:



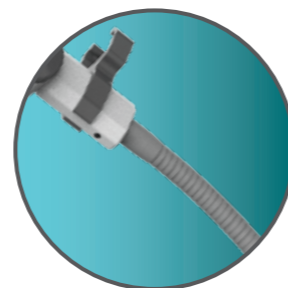
Can be rotated in 360°



Clip-in tube holders



Joint force adjustment

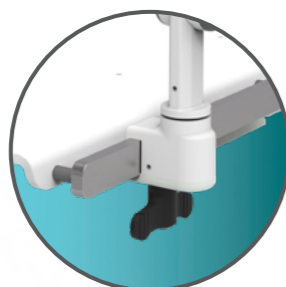


Flexible arm end with different mountings

## MOUNTING OPTIONS: (XX)



**C5M**  
Column mounting



**DR**  
DIN Rail mounting



**TM**  
Worktop mounting



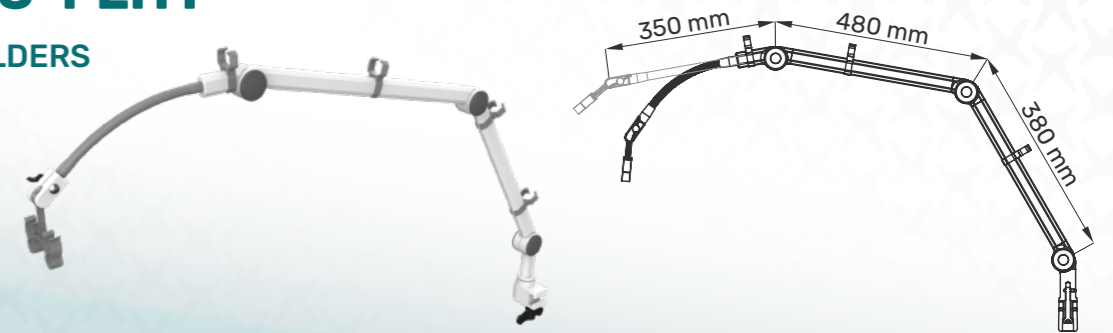
**PM**  
Pin mounting

## SNA1-DR-L3-FLH1

CABLE OR TUBE HOLDERS

DIN RAIL MOUNTING

FLEXIBLE END

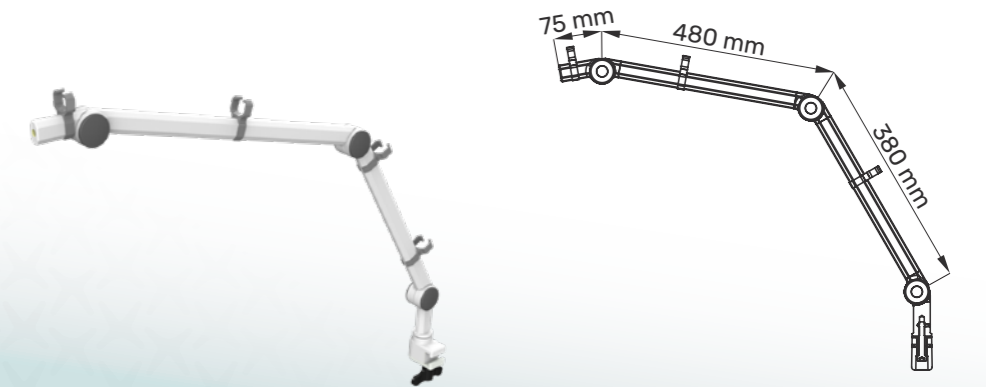


## SNA1-DR-L3

CABLE OR TUBE HOLDERS

DIN RAIL MOUNTING

FREE ARM END OPTION



## SNA1-DR-L2

CABLE OR TUBE HOLDERS

PIN MOUNTING

FREE ARM END OPTION

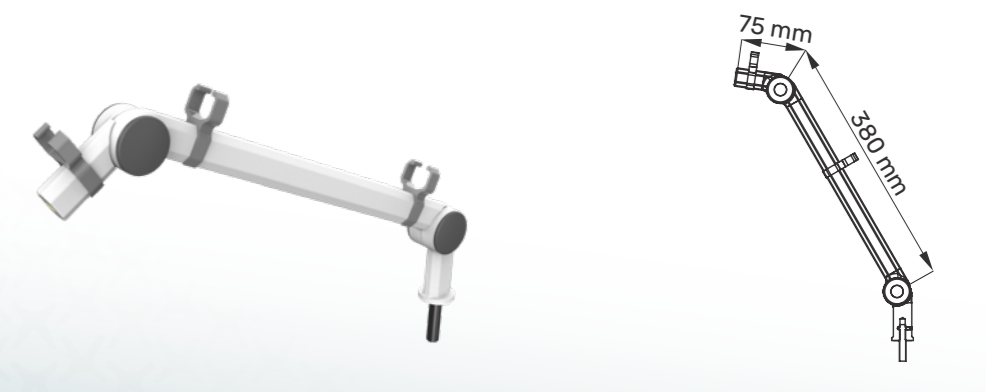


## SNA1-PM-L2

CABLE OR TUBE HOLDERS

PIN MOUNTING

FREE ARM END OPTION





# Snake 2 Range

MEDICAL  
CART COMPANY

Rotatable and tiltable heavy duty Snake arm with VESA mount.



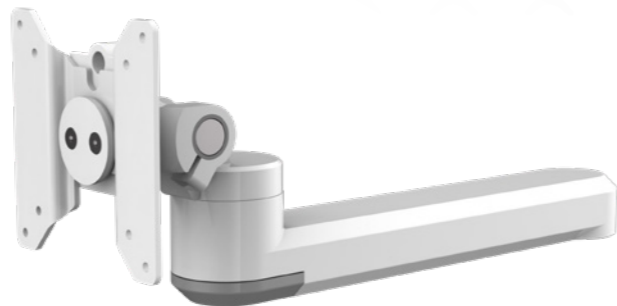
**Ergonomic**  
Constant force joint that enables a safe setup



**Durable**  
2 year warranty



Designed and manufactured in Hungary, products are typically 100% recyclable and upgradable in the future. Raw materials are sourced locally or in the EU.

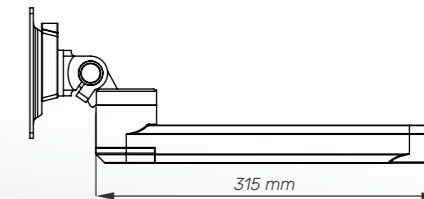


## SNA2-XXX-051-VM-YY

TILTABLE & ROTATABLE

CABLE MANAGEMENT

VESA MOUNT

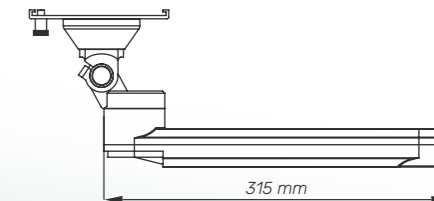


## SNA2-XXX-051-QR-YY

TILTABLE & ROTATABLE

CABLE MANAGEMENT

QUICK RELEASE HEAD



## MOUNTING OPTIONS: (XXX)



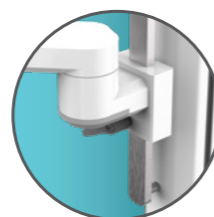
**VWC**  
Column mounting



**VWM**  
Wall mounting



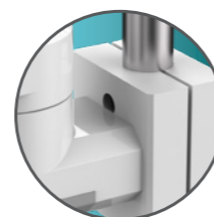
**HDR**  
Horizontal DIN rail mounting



**VDR**  
Vertical DIN rail mounting

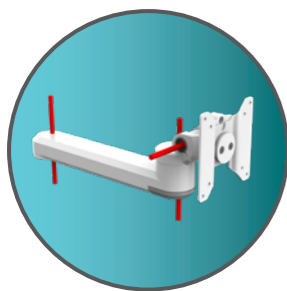


**HTM**  
Horizontal tube mounting

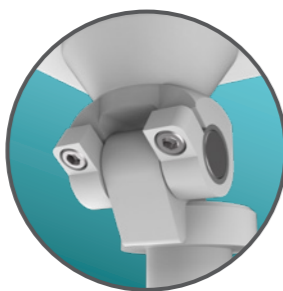


**VTM**  
Vertical tube mounting

## FEATURES:



3 axes rotation



End joint torque setting



Cable management in arm body



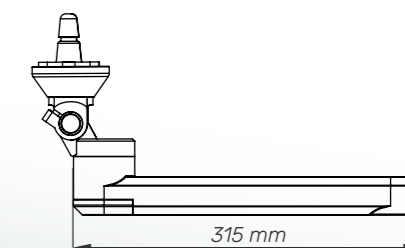
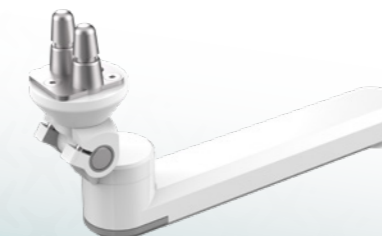
Accessories (YY)

## SNA2-XXX-051-DP-YY

TILTABLE & ROTATABLE

CABLE MANAGEMENT

DOUBLE PIN HEAD



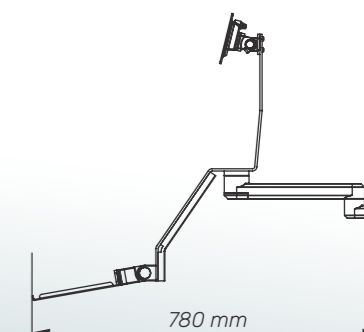
## SNA2-XXX-051-KD-YY

TILTABLE & ROTATABLE

CABLE MANAGEMENT

VESA MOUNT

KEYBOARD TRAY

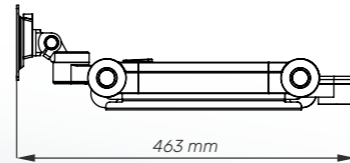
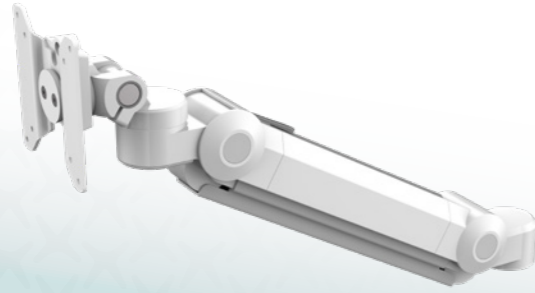


## SNA2-XXX-061-VM-YY

CABLE MANAGEMENT

VESA MOUNT

GAS SPRING

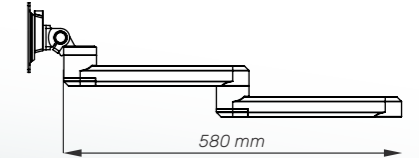


## SNA2-XXX-052-VM-YY

TILTABLE & ROTATABLE

CABLE MANAGEMENT

VESA MOUNT

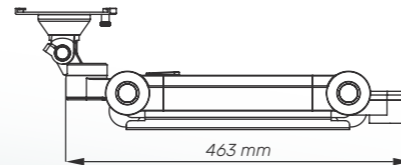
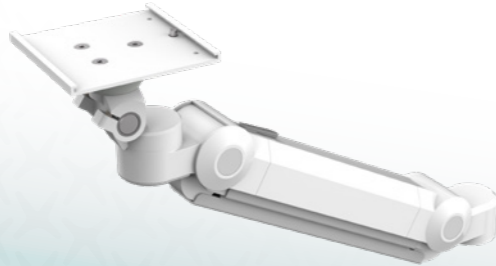


## SNA2-XXX-061-QR-YY

CABLE MANAGEMENT

QUICK RELEASE MOUNT

GAS SPRING

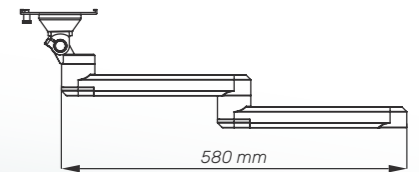


## SNA2-XXX-052-QR-YY

TILTABLE & ROTATABLE

CABLE MANAGEMENT

QUICK RELEASE MOUNT

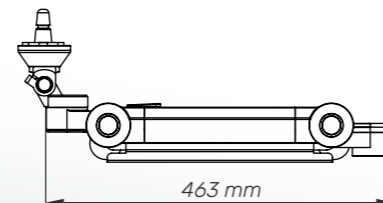
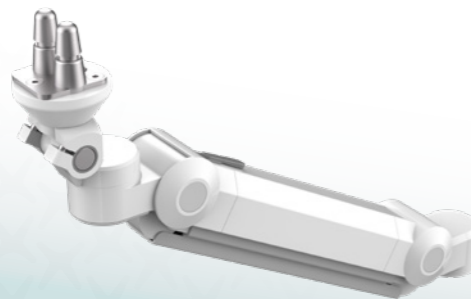


## SNA2-XXX-061-DP-YY

CABLE MANAGEMENT

DOUBLE PIN MOUNT

GAS SPRING

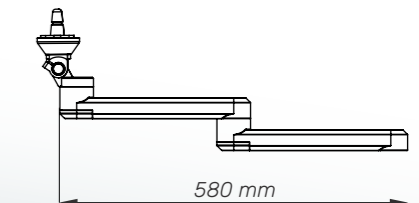


## SNA2-XXX-052-DP-YY

TILTABLE & ROTATABLE

CABLE MANAGEMENT

DOUBLE PIN MOUNT

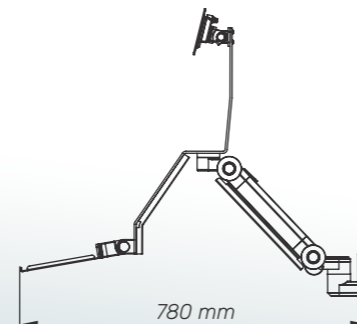


## SNA2-XXX-061-KD-YY

VESA MOUNT

KEYBOARD TRAY

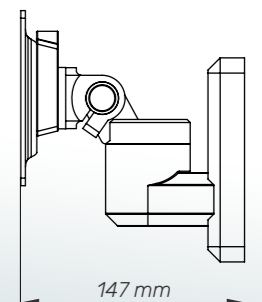
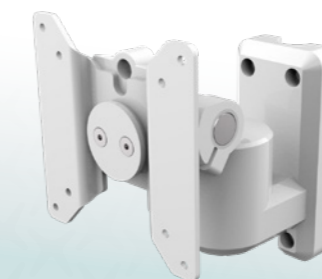
GAS SPRING



## SNA2-XXX-00-VM

TILTABLE & ROTATABLE

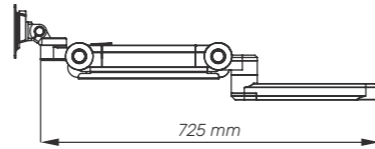
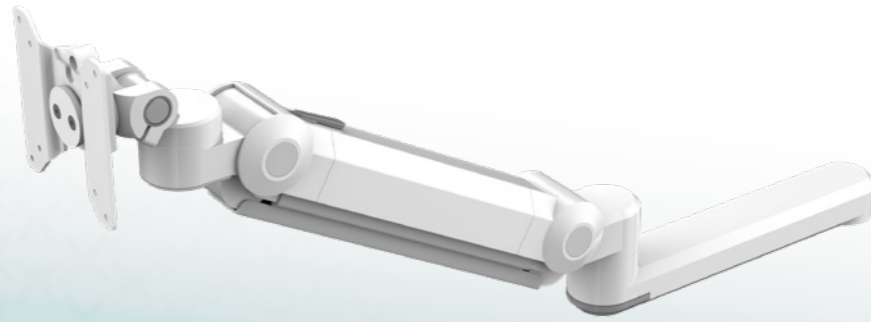
VESA MOUNT





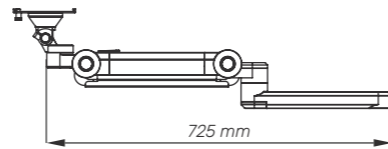
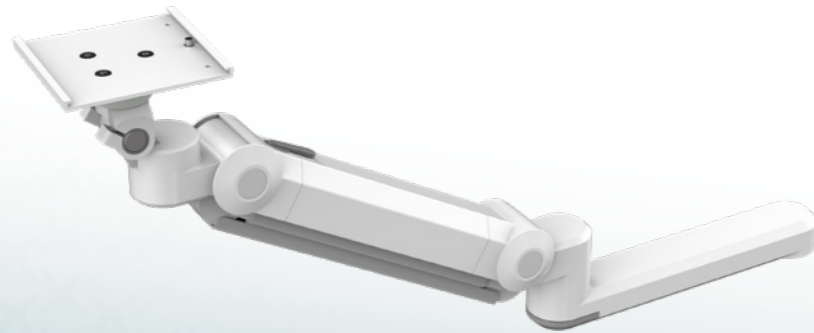
## SNA2-XXX-062-VM-YY

- TILTABLE & ROTATABLE
- CABLE MANAGEMENT
- VESA MOUNT
- GAS SPRING



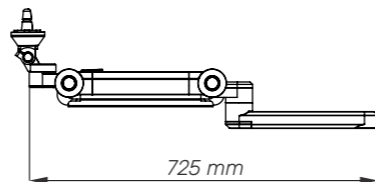
## SNA2-XXX-062-QR-YY

- TILTABLE & ROTATABLE
- CABLE MANAGEMENT
- QUICK RELEASE MOUNT
- GAS SPRING



## SNA2-XXX-062-DP-YY

- TILTABLE & ROTATABLE
- CABLE MANAGEMENT
- DOUBLE PIN MOUNT
- GAS SPRING



# WALL MOUNT SOLUTIONS

## SIT/STAND WALL MOUNT

Work station fixed on the wall. Allows busy areas to be used without consuming significant floor space.



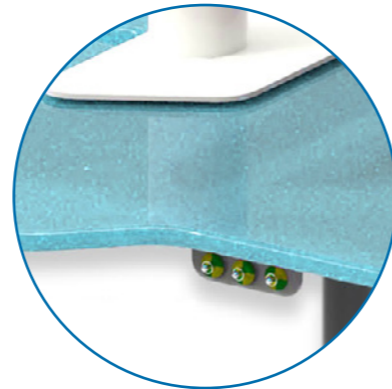
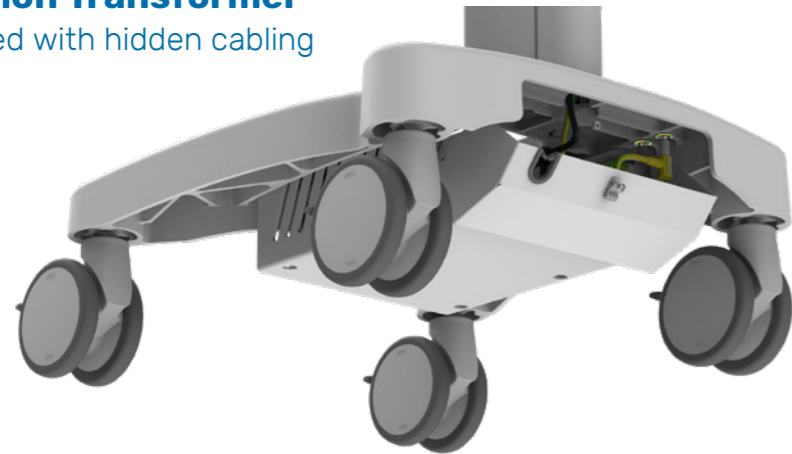
# POWER SOLUTIONS

Click or Scan 

## MEDICAL ISOLATION TRANSFORMERS

For added safety when using medical technology.

**Isolation Transformer**  
mounted with hidden cabling



**Optional POAG Studs**  
mounted under WorkSurface



**Isolation Transformer  
OPTION 1**  
REOMED 300VA A-50 Series



**Isolation Transformer  
OPTION 2**  
REOMED 600VA A-50 Series



**Isolation Transformer  
OPTION 3**  
REOMED 1000VA A-50 Series



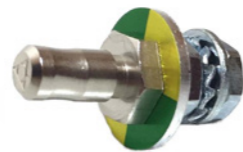
**Power Strip**  
3/4/5/8 Plugs



**Potential Equalization Cable**  
3m / 5 m



**Potential Equalization  
Socket**



**Potential Equalization  
Pin**  
15 mm



**Potential Equalization  
Pin**  
25 mm

# PWP POWER SYSTEM



## POWER PACK

Heavy Duty LiPo4 Power Pack suitable to fit any cart with built in charger and AC inverter allow easy installation of suitable equipment. Available in 512WH or 240WH sizes.



Autonomy



Easy to Use



Easy to Clean



Multi Purpose

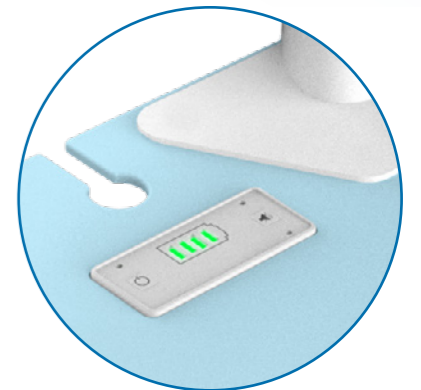


Durable

## DIGITAL FEEDBACK

### WORK SURFACE - LED Indicator

Easy to see, easy to understand battery charge indicator.



### DISPLAY - Service Related Conditions

Intelligent fuel gauge report run time and battery health. Datalogging and fleet management software is built into the product as standard.

Service related alarms, such as overload, over temperature, replace battery etc., will cause one of the RUI Service LEDs to flash.

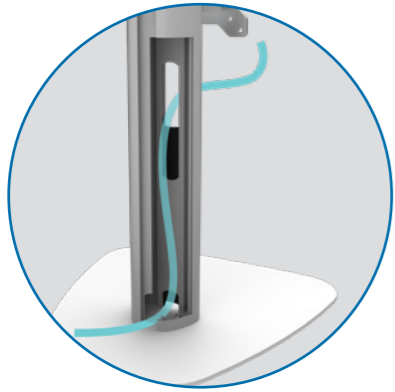




# DESK STANDS

## FEATURES

- Height adjustable
- Tilt and Rotation
- Integrated Cable Management



Click and Scan

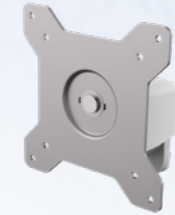


## VESA HEAD 75/100 OPTIONS



### VES1 OPTION:

- Teardrop holes to hang display quickly
- Suitable for displays up to 27"
- Maximum load 15 kg



### VES2 OPTION:

- Tilt and rotate function
- Suitable for displays up to 24"
- Load capacity: 6-12 kg

## TABLET HOLDER OPTIONS

Tablet holders are fixed on VESA 75/100 heads!



### TM2 OPTION:

- Quick tablet installation
- Available in two sizes: 9.5"-13.5" and 13.5"-16.5"
- Can be applied on VES1 or VES2 as well

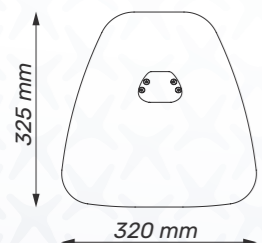
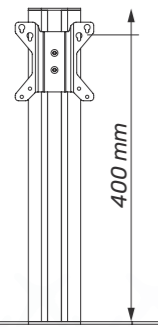


### TM3 OPTION:

- Our safest tablet mounting solution for 11"-16"
- Can be applied on VES1 or VES2 as well

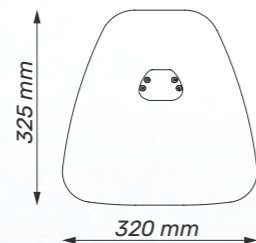
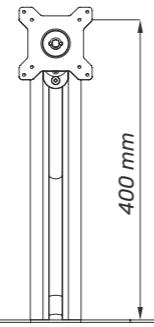
### Display Stand

DS1



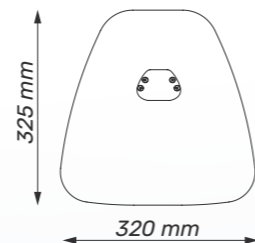
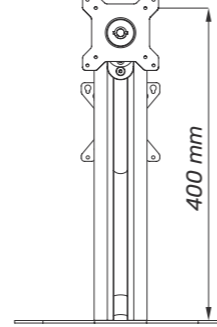
### Display Stand

DS2



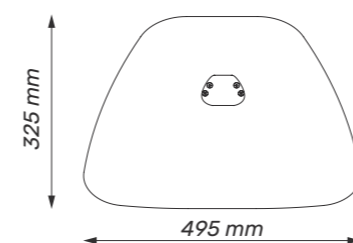
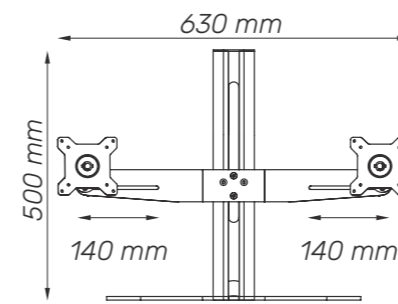
### Double Display Stand

DS3



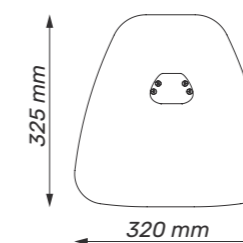
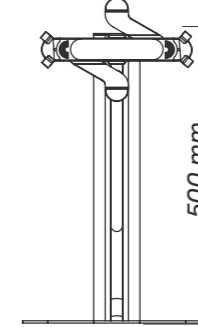
### Twin Display Stand

TS4



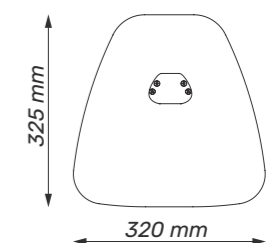
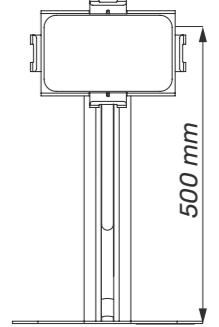
### Tablet Stand

TS2



### Tablet Stand

TS3



# CUSTOM COLOR OPTIONS

Available for all Carts. Custom graphics are also available.



## CUSTOM GRAPHICS

Logos, labels, graphics. We can apply any of your ideas on the cart to make it more unique, according to you, or your company's needs. Full-cover graphics and labels can be added as well.

## CUSTOM PAINTJOB

Just pick any RAL color, and add it to your cart. Can be added to any painted surface.



## WRAPPINGS

Customize your cart's column with printed foils. We can offer you our graphics or you can bring your own ideas as well.

## COLOR COMBINATIONS

Try different colors! We can add custom colors for every part if it's necessary. It is a nice and easy way to separate your carts in each departments.





# Children's Carts

Available for all Carts. Custom graphics are also available.

## IGLOO VILLAGE

Wrapping with printed base.



## CITY ANIMALS

Wrapping with blue and yellow color combination.

## HAPPY FRUITS

Wrapping with yellow, purple, green and orange painted parts.



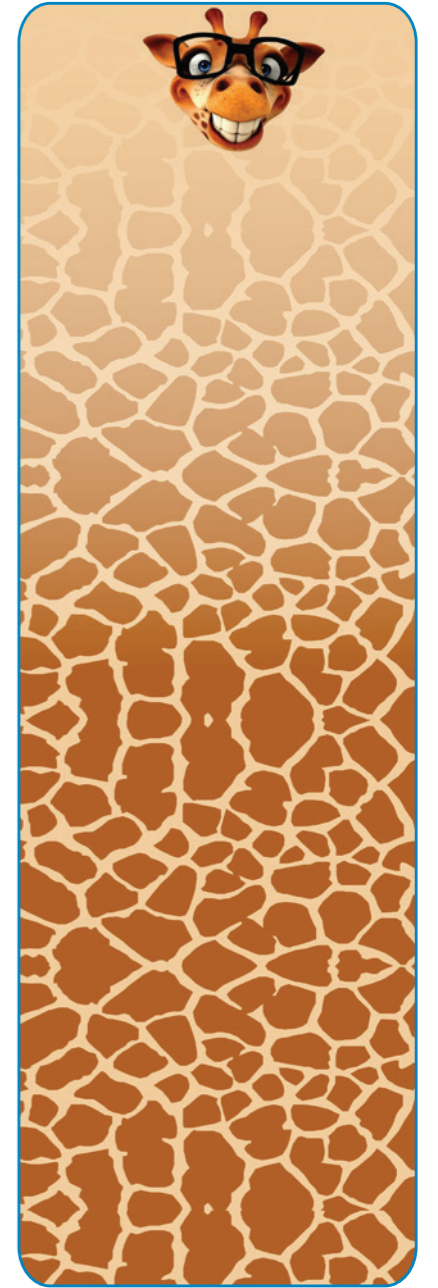
## SPORTY FRUITS

Wrapping with yellow painting.



# Children's Carts Patterns

Available for all Carts. Custom graphics are also available.





## Design Carts

Available for all carts.

You dream it we make it.  
Let your dreams come true and work in comfortable  
and exciting design environment. You can bring your  
own ideas, or you can count on us as well.



## New products coming in 2024

Debuting carts. See the QR Code for more information

### DISPLAY STAND

Height adjustable workstation  
with electric lift, display mount  
and keyboard tray.



### TRICOLUMN CART

Plenty of space and wide  
range of mounting options.



# Medical Cart Company Ltd.

Hungary, 2051 Biatorbágy  
Vendel park, Budai út 16.

Tel: +36 23 920 790  
Tel: +36 30 841 4353

[www.medicalcartcompany.hu](http://www.medicalcartcompany.hu)



MEDICAL CART COMPANY