

Tablet mount 2

TM2

Product range:    



Ergonomic

Thanks to the ball joint, it can be used at a wide viewing angle



Durable

Lifetime warranty



Easy to clean

Clean surfaces with minimal dirt traps



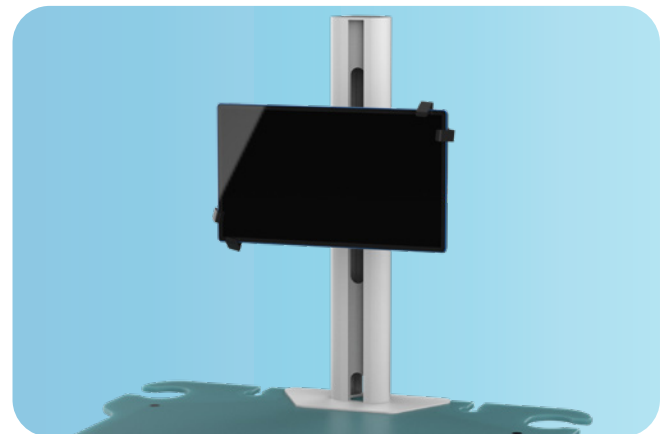
Quick setup

Supplied fully assembled with minimal packaging

OPTIONS



Basic size for smaller tablets



Large size for big tablets

Tray Properties



More info
on website

Dimensions and mechanical data

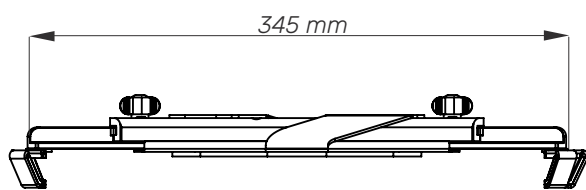
Technical attributes:

- Fully recyclable
- Lifetime Warranty
- Made in Hungary

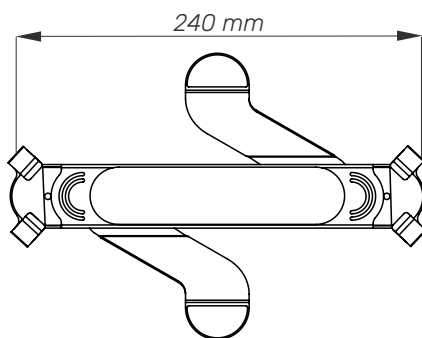
Product range:



BASIC UP TO 13.5"

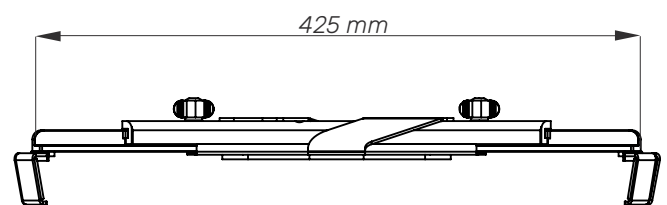


Max length

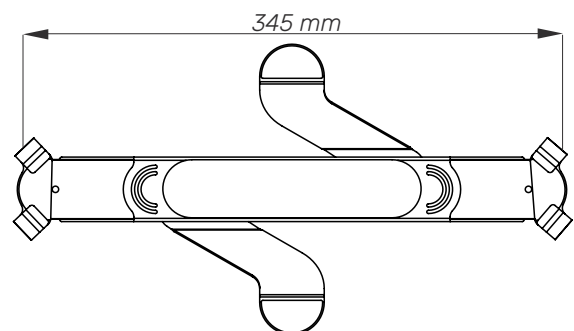


Minimum length

LARGE UP TO 16.5"



Max length



Minimum length

Mechanical data

| | |
|-------------------------|---|
| Minimum length | Basic: 240 mm down to 9.5"; Large 345 mm, up to 13.5" |
| Max length | Basic: 345 mm down to 13.5"; Large 425 mm up to 16.5" |
| Max thickness of tablet | Basic: 18 mm; Large: 28 mm |

Construction

| | |
|---------------|-----------|
| Main material | Aluminium |
|---------------|-----------|

Color

| | |
|----------|--|
| RAL 9005 | |
|----------|--|

Certificates

| | |
|--------------------------|-----------------------------|
| Certificates conforms to | IEC60601-1:2012 (Edition 3) |
| CE | Rohs compliant |