

Rubber Scanner Holders



Easy to clean

Clean surfaces with minimal dirt traps



Durable

5 years warranty



Quick setup

Can be added to the cart easily

SR1

for regular scanners



SR2

for large scanners



SR3

for ultrasound gel bottle



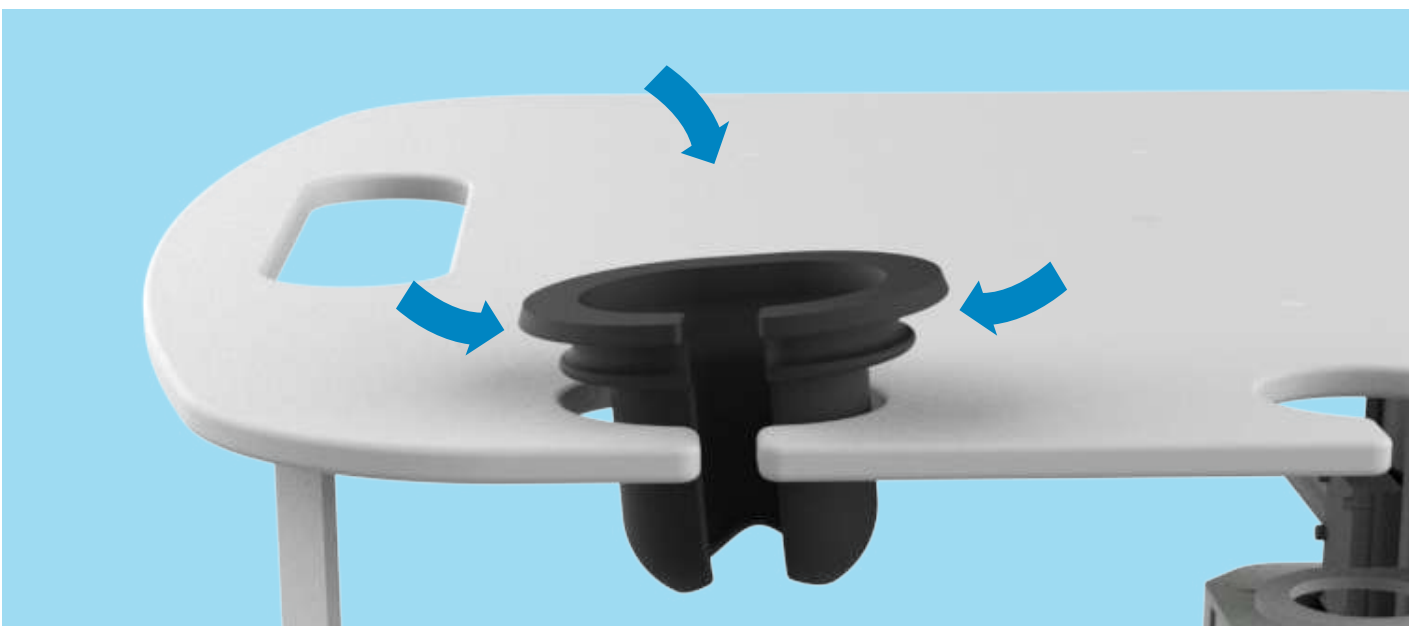
SR5

for transvaginal scanner



FIXING

Simply snap it in the cutout. The part's shape will keep it tight.



Rubber holder on work surface

Rubber Scanner Holders



More info
on website

SR1-6

Scanner Holder 1
for 6mm thick sheet



Inner dimensions:
66x50x70 mm
Outer dimensions:
97x80x70 mm
Work surface thickness:
6mm
Material:
TPU
Cable hole diameter:
32mm

SR2-6

Scanner Holder 2
for 6mm thick sheet



Inner dimensions:
65.5x49.5x70 mm
Outer dimensions:
97x80x70 mm
Work surface thickness:
6mm
Material:
TPU
Cable hole dimensions:
30x46mm

SR3-6

Scanner Holder 3
for 6mm thick sheet



Inner dimensions:
51x49x70 mm
Outer dimensions:
97x80x70 mm
Work surface thickness:
6mm
Material:
TPU
Cable hole diameter:
32mm

SR1-8

Scanner Holder 1
for 8mm thick sheet



Inner dimensions:
66x50x70 mm
Outer dimensions:
97x80x70 mm
Work surface thickness:
8mm
Material:
TPU
Cable hole diameter:
32mm

SR2-8

Scanner Holder 2
for 8mm thick sheet



Inner dimensions:
65.5x49.5x70 mm
Outer dimensions:
97x80x70 mm
Work surface thickness:
8mm
Material:
TPU
Cable hole dimensions:
30x46mm

SR3-8

Scanner Holder 3
for 8mm thick sheet



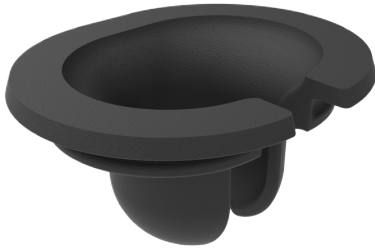
Inner dimensions:
51x49x70 mm
Outer dimensions:
97x80x70 mm
Work surface thickness:
8mm
Material:
TPU
Cable hole diameter:
32mm



More info
on website

SR5-6

Scanner Holder 5
for 6mm thick sheet



Inner dimensions:

42x36.4x51 mm

Outer dimensions:

97x80x51 mm

Work surface thickness:

6mm

Material:

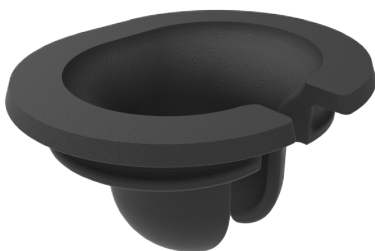
TPU

Cable hole diameter:

32mm

SR5-8

Scanner Holder 5
for 8mm thick sheet



Inner dimensions:

42x36.4x51 mm

Outer dimensions:

97x80x51 mm

Work surface thickness:

8mm

Material:

TPU

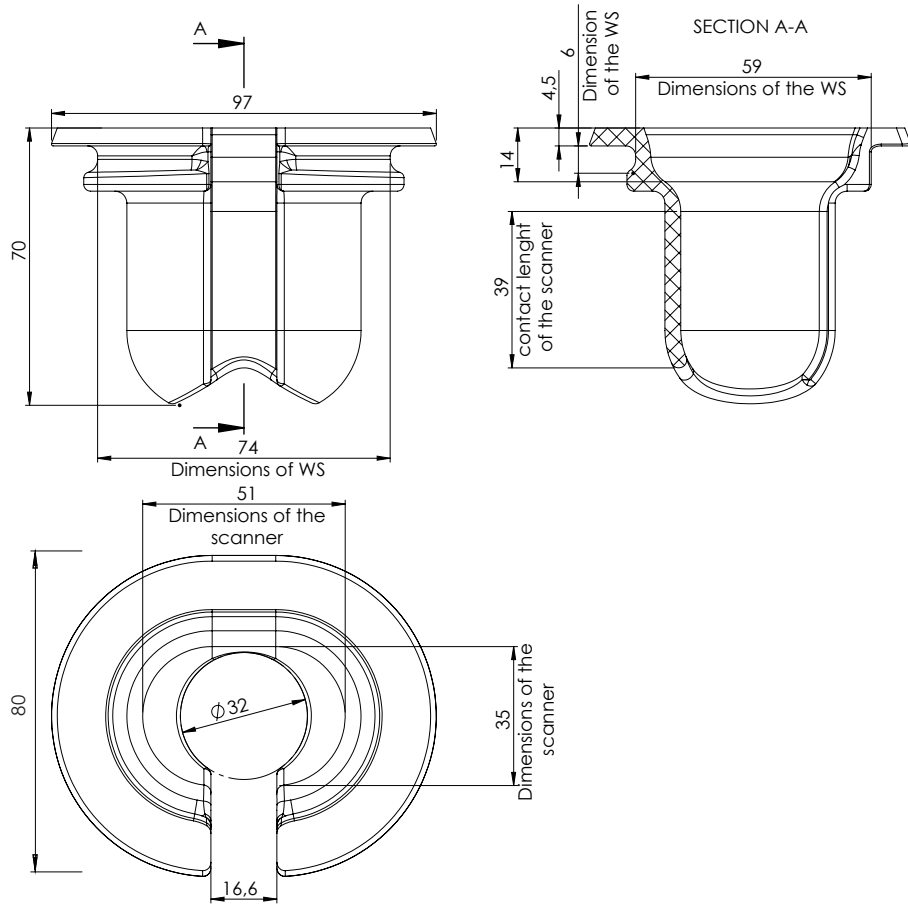
Cable hole diameter:

32mm

Dimensions

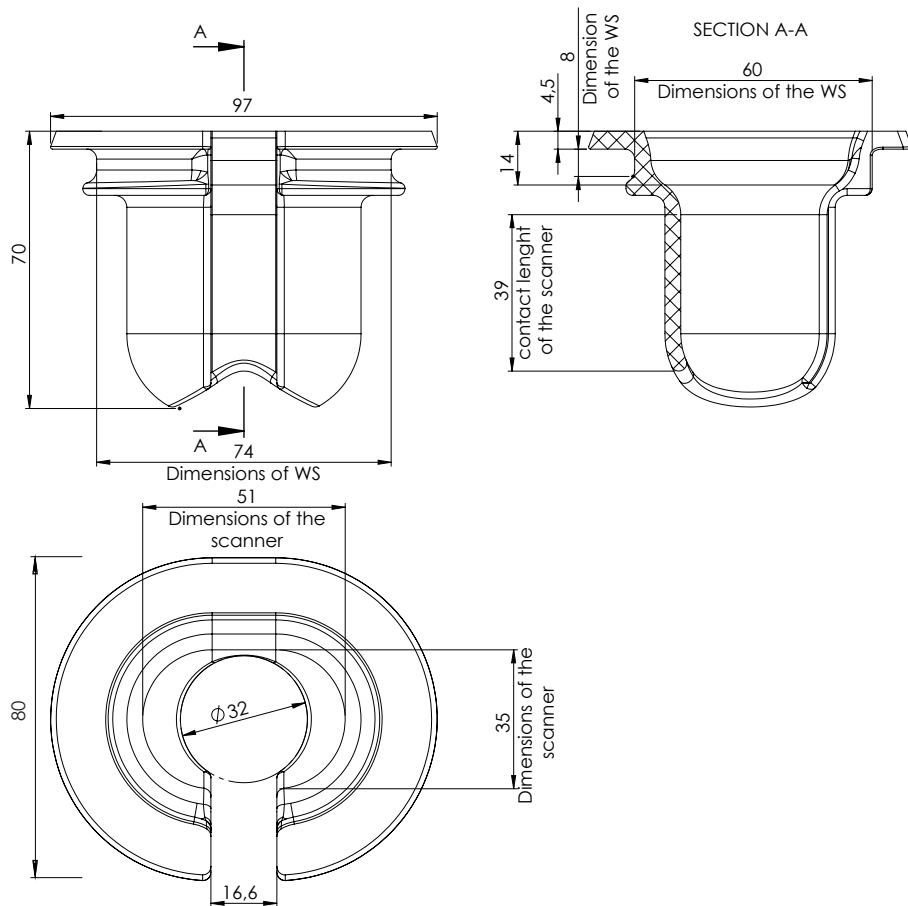
SR1-6

Scanner Holder 1
for 6mm thick sheet



SR1-8

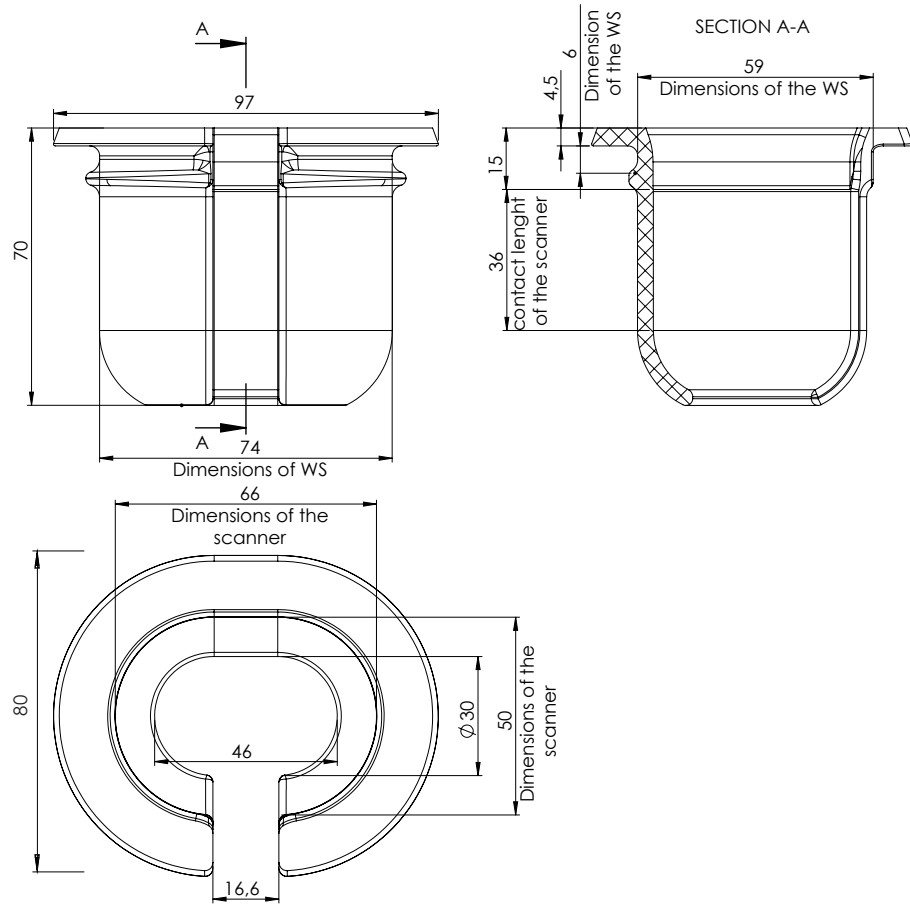
Scanner Holder 1
for 8mm thick sheet



Dimensions

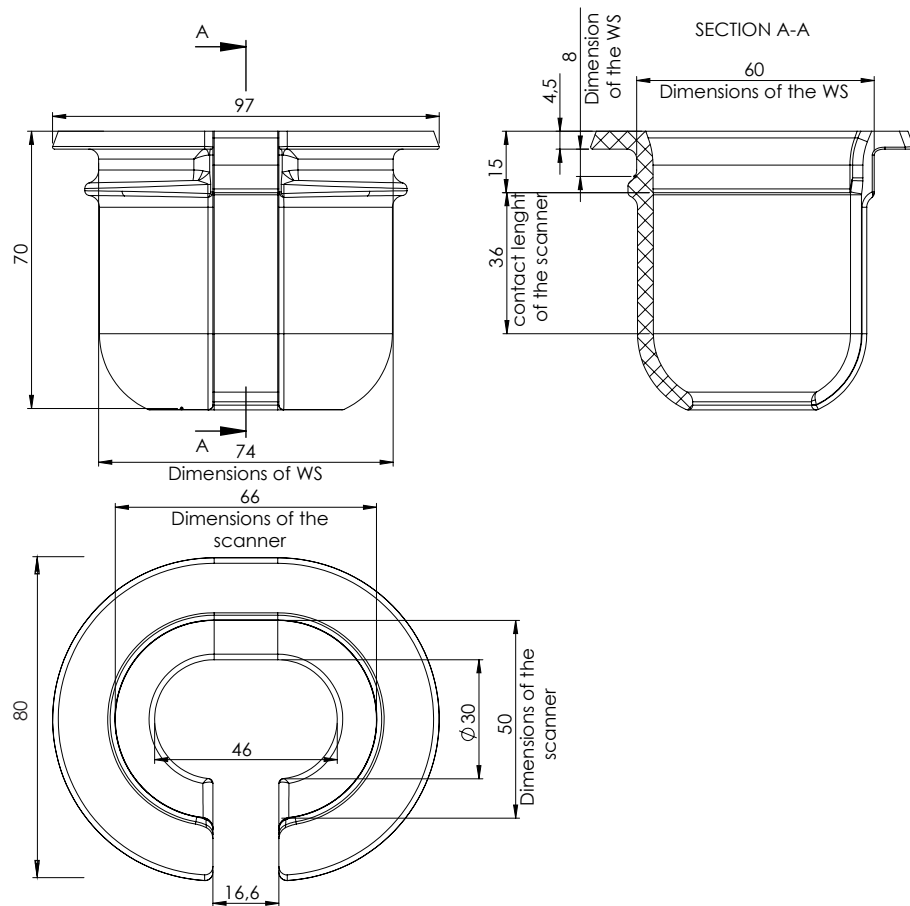
SR2-6

Scanner Holder 2
for 6mm thick sheet



SR2-8

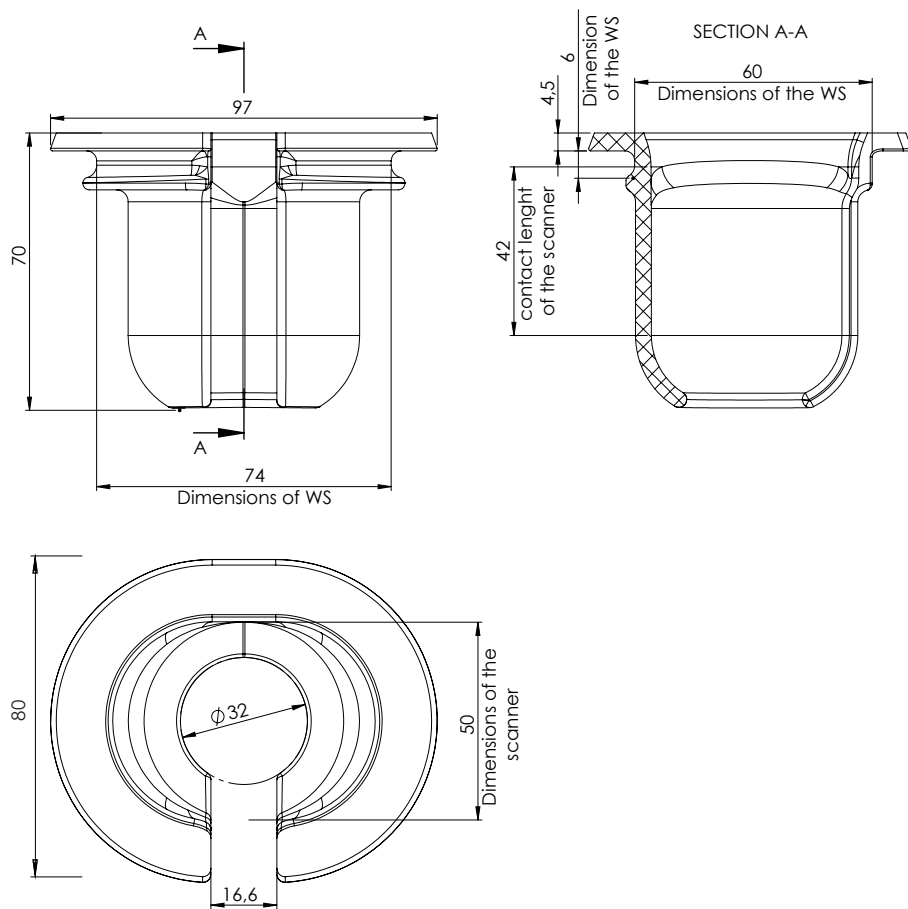
Scanner Holder 2
for 8mm thick sheet



Dimensions

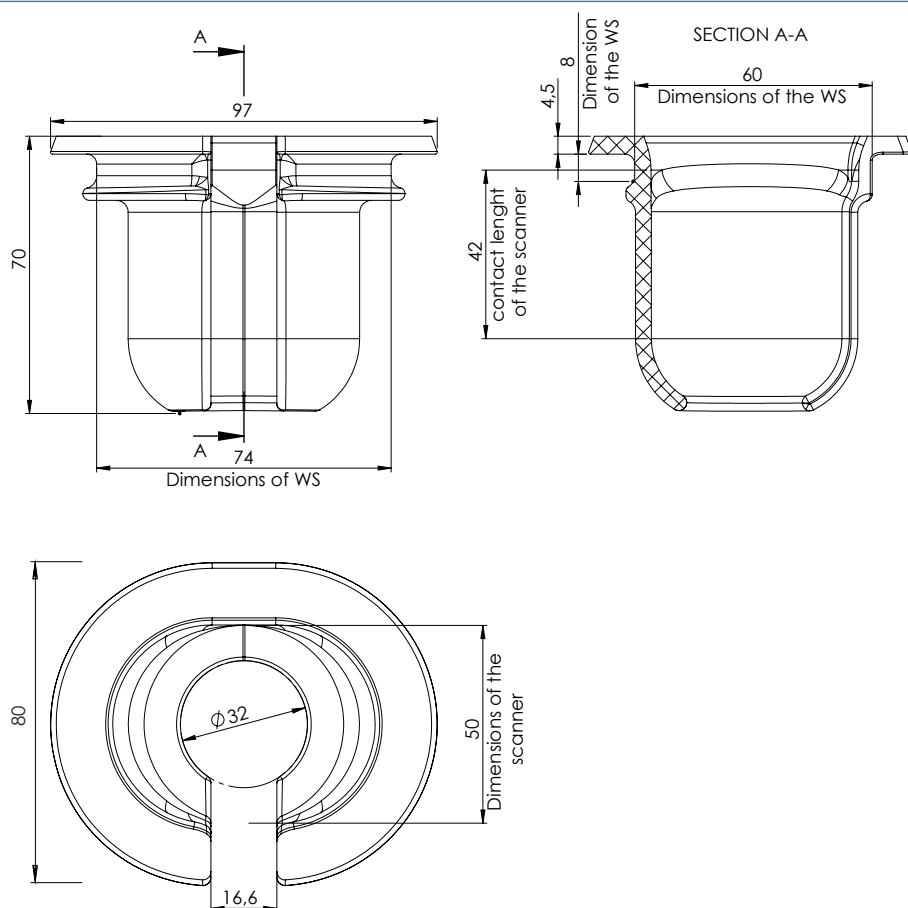
SR3-6

Scanner Holder 3
for 6mm thick sheet



SR3-8

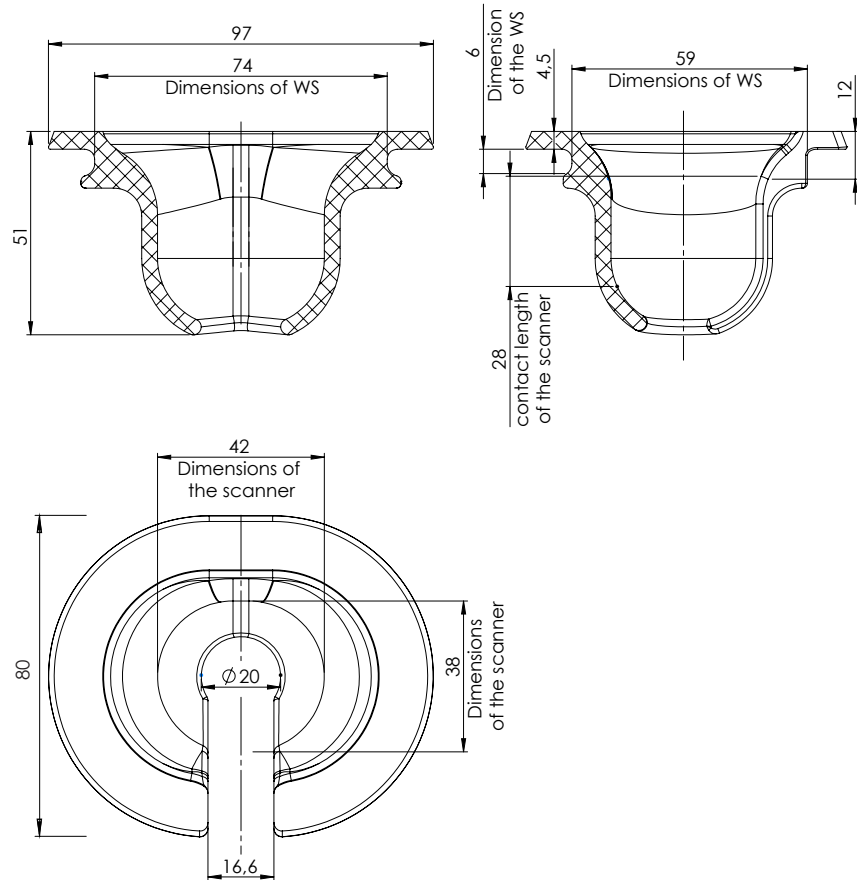
Scanner Holder 3
for 8mm thick sheet



Dimensions

SR5-6

Scanner Holder 5
for 6mm thick sheet



SR5-8

Scanner Holder 5
for 8mm thick sheet

