

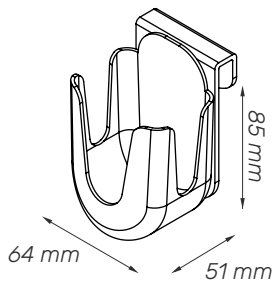
Other Holders

All holders come in white, RAL 9016.
Available in custom colors. Internal dimensions are indicated.

More info
on website

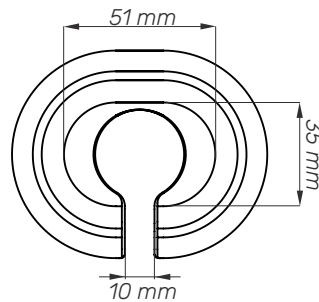


MH1
Mouse Holder



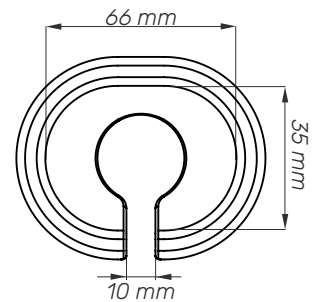
Dimensions: 64x85x51 mm
Material: Plastic

SR1
Scanner Holder



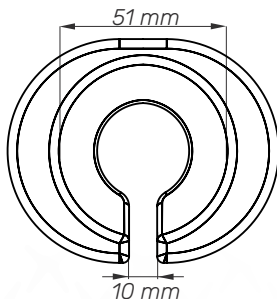
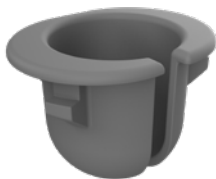
Dimensions: 85x92x80 mm
Material: Rubber

SR2
Scanner Holder



Dimensions: 70x148x50 mm
Material: Rubber

SR3
Scanner Holder



Dimensions: 85x92x80 mm
Material: Rubber

Other Holders

All holders come in white, RAL 9016.
Available in custom colors. Internal dimensions are indicated.

More info
on website



FIXING



DIN Rail mounting



Rubber holder on work surface



Easy to clean

*Clean surfaces with
minimal dirt traps*



Durable

Lifetime warranty



Quick setup

*Can be added
to the cart easily*