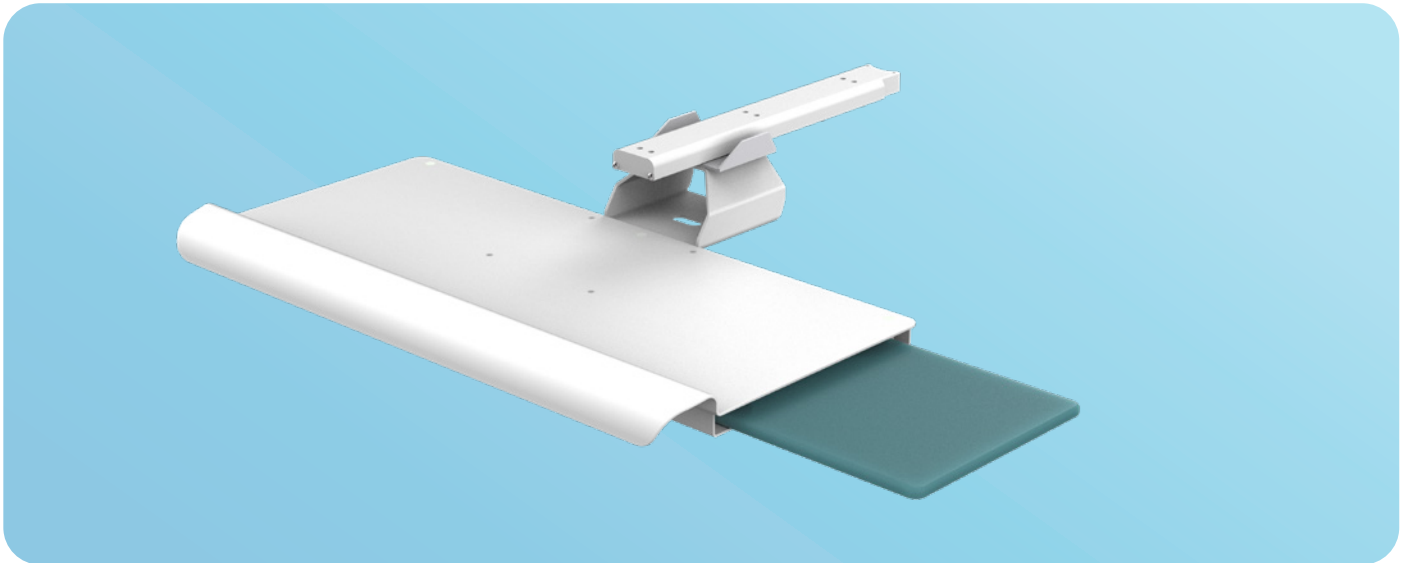


Keyboard Tray 2

MEDICAL
CART COMPANY

KB2

Product range: 



Ergonomic

Comfortable size wrist support and left/right mouse pad



Durable

Lifetime warranty



Easy to clean

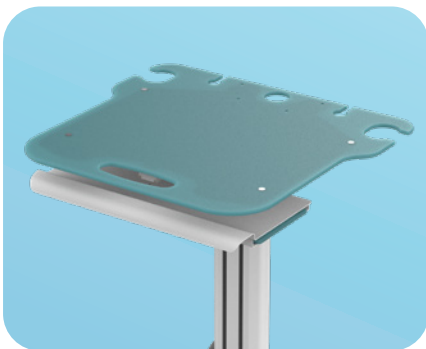
Clean surfaces with minimal dirt traps



Quick setup

Supplied fully assembled with minimal packaging

FEATURES



Easy mounting
under work surfaces



Can be pulled out
(left or right handed as well)



Mouse holder

Tray Properties



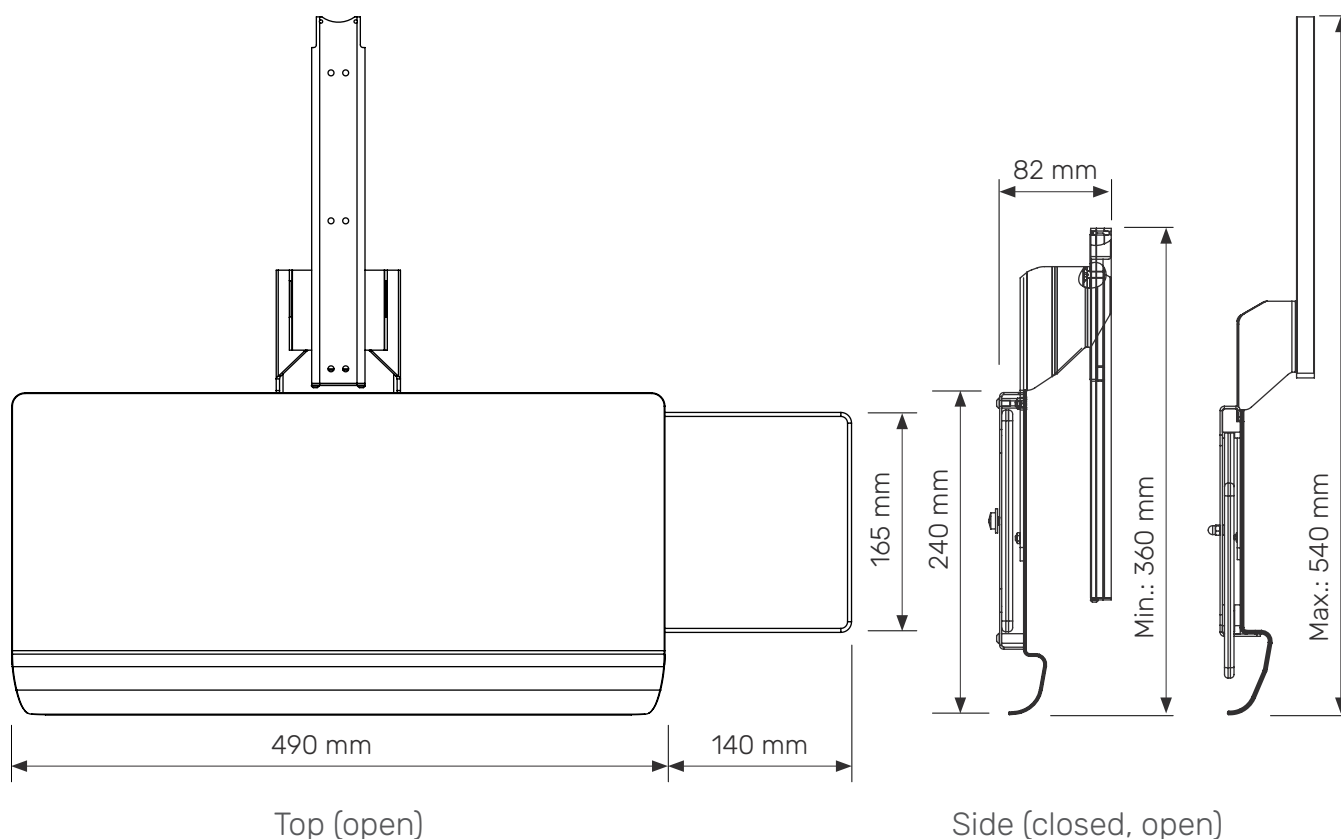
More info
on website

Dimensions and mechanical data

Technical attributes:

- Fully recyclable
- Lifetime Warranty
- Made in Hungary

Product range:



Mechanical data	
Width	Min.: 490 mm / Max.: 630 mm
Height	82 mm
Depth	Min.: 360 mm / Max.: 540 mm
Construction	
Main material	Aluminium
Color	
RAL 9016	
Custom color	
Certificates	
Certificates conforms to	IEC60601-1:2012 (Edition 3)
CE	Rohs compliant