

Height adjustable



Tilt and rotation



Integrated cable management



### Complete System

Net Weight	2.40 kg
Dimension(WxHxD)	115x450x120

### Construction

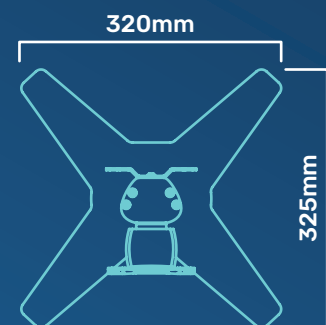
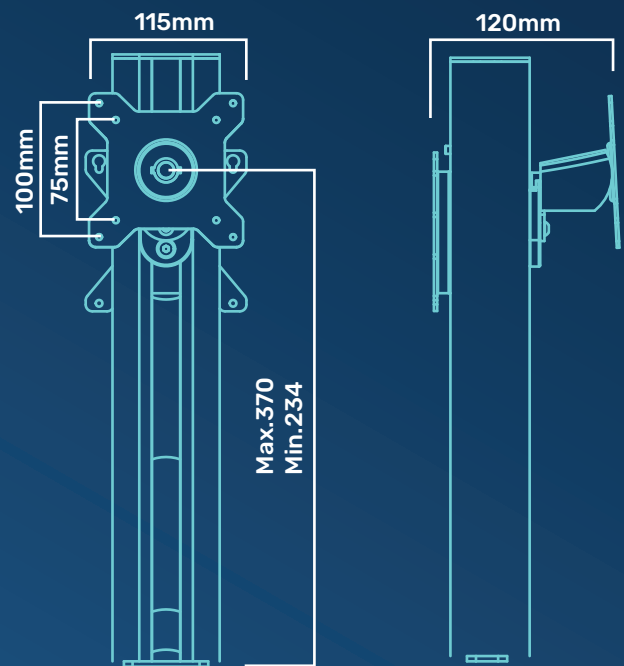
Material	Steel/Aluminium
----------	-----------------

### Display system

Hinge Module	Swivel (hinge)	N/A
	Tilt (hinge)	-5°
	Pivot	+25°
	Torque adjust	360°
Display Support	Mounting pattern	100x100
	Display type	75x75
	Panel size support	Single monitor
	Support weight	24"
Height Adjust	Height adjustment	136mm
	Range	Yes
Cable Management	Yes	

### Color

RAL 9016

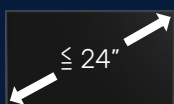


### Screen

### VESA

### Tilt

### Rotate



100x100  
75x75 (mm)



+25°



-5°

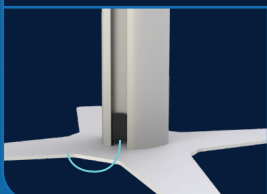
360°



### Cable Management

### Height Adjust

### Torque Adjust



136mm

