

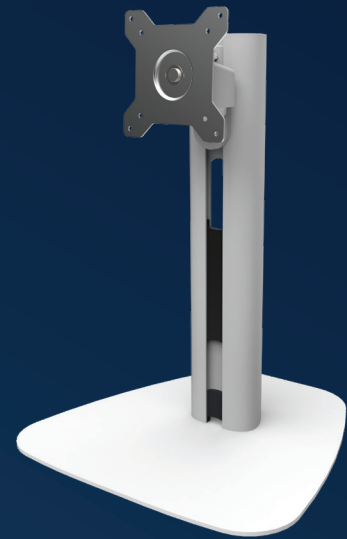
Height adjustable



Tilt and rotation



Integrated cable management



### Complete System

Net Weight	2.40 kg
Dimensions(WxHxD)	115x420x120

### Construction

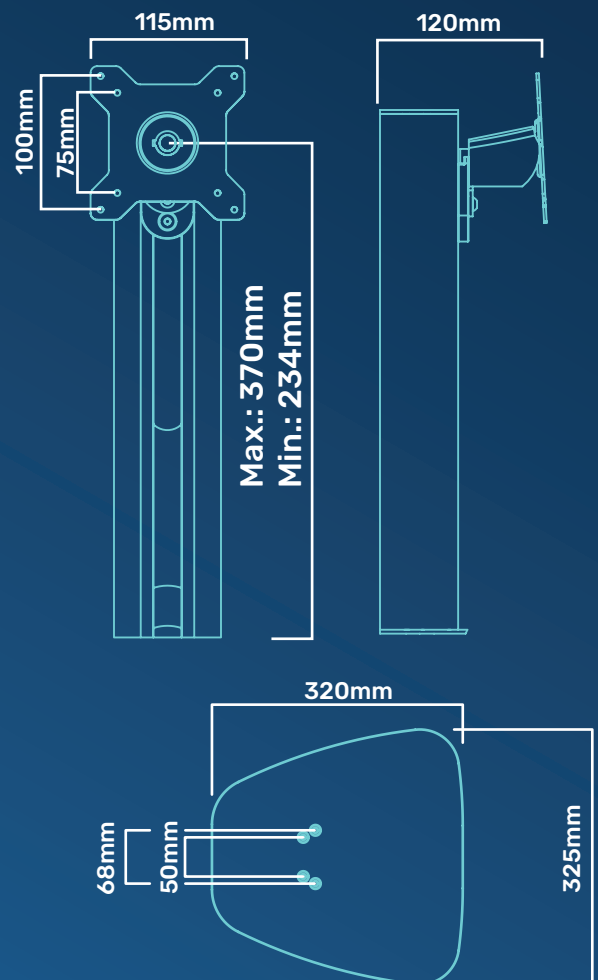
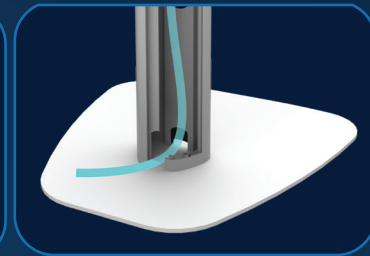
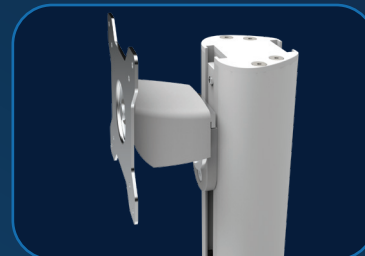
Material	Steel/Aluminium
----------	-----------------

### Display system

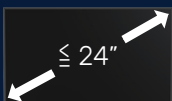
Hinge Module	Swivel (hinge)	N/A
	Tilt (hinge)	-5°
	Pivot	+25°
	Torque adjust	360°
Display Support	Mounting pattern	100x100
	Display type	75x75
	Panel size support	Single monitor
Height Adjust	Support weight	24"
	Height adjustment	136mm
Cable Management	Range	Yes
	Yes	

### Color

RAL 9016



### Screen



### VESA

100x100  
75x75 (mm)



### Tilt

+25°



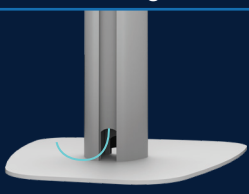
-5°

### Rotate

360°



### Cable Management



### Height Adjust



136mm

### Torque Adjust

