

Computer holder 2

CPU2

Product range: 

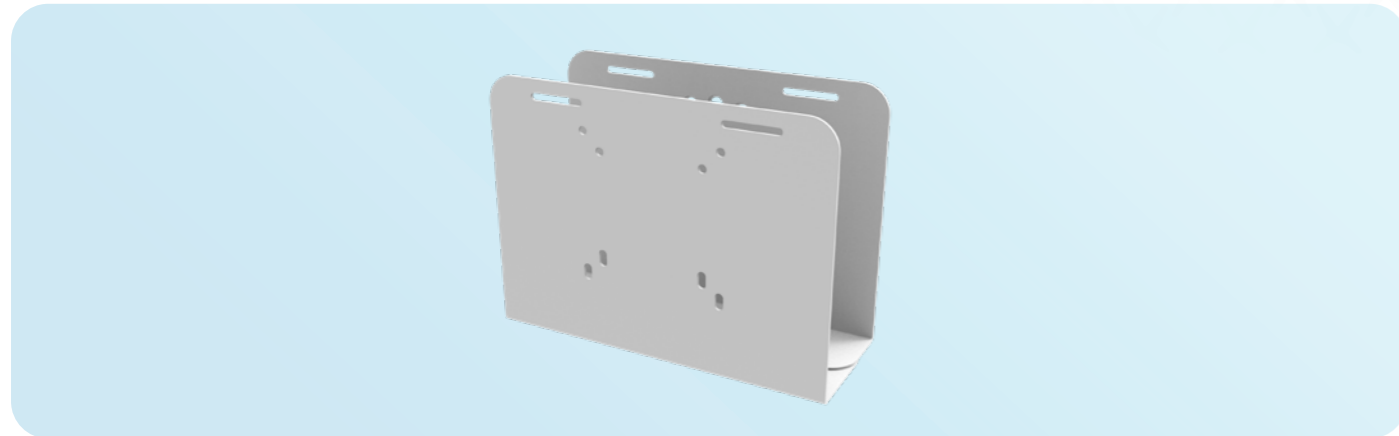
MEDICAL
CART COMPANY

Holder Properties

Dimensions and mechanical data



More info
on website



Durable
Lifetime warranty



Quick setup
Can be added to the cart quick
and easily



Easy to clean
Clean surfaces with
minimal dirt traps



Ergonomic
Easy to install any size desktop
computer on it

FEATURES



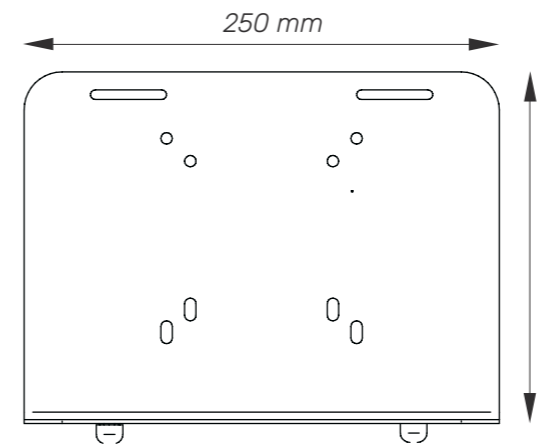
Can be mounted on any column



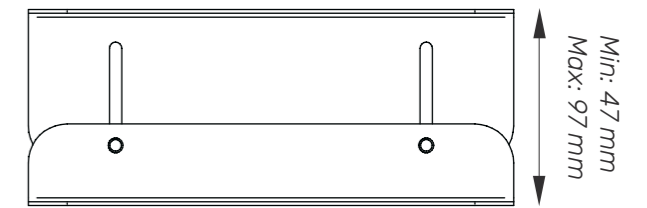
Can be adjusted for bigger sizes

Technical attributes:

- Fully recyclable
- Lifetime Warranty
- Made in Hungary



Side



Bottom

Mechanical data	
Width	250 mm
Height	221 mm
Depth	47 mm - 97 mm
Max. weight load	4 kg
Construction	
Main material	Steel
Color	
RAL 9016	
Custom color	
Certificates	
Certificates conforms to	IEC60601-1:2012 (Edition 3)
CE	Rohs compliant