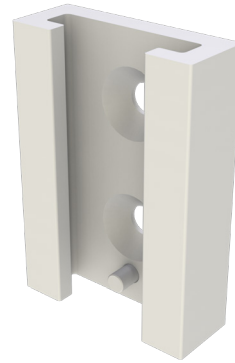


# Humidifier mount

AM1

Product range: 

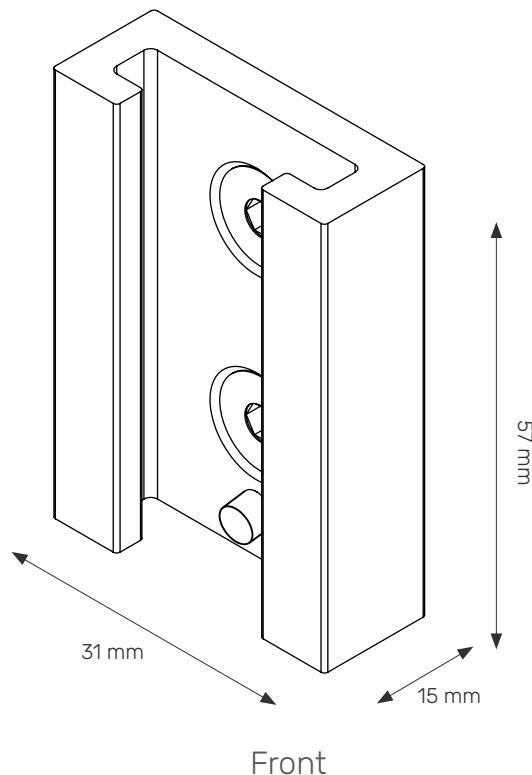



More info  
on website

## Technical attributes:

- Fully recyclable
- Lifetime Warranty
- Made in Hungary

## INTERNAL DIMENSIONS



| Mechanical data  |   |
|------------------|---|
| Inner dimensions | 31x57x15 mm   |
| Construction     |   |
| Main material    | Aluminium   |
| Color            |   |
| RAL 9016         |  |
| Custom color     |   |
| Certificates     |   |
| CE               | Rohs compliant  |